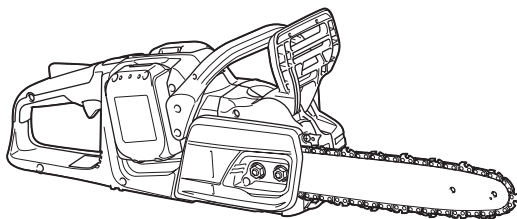


**INSTRUCTION MANUAL  
MANUEL D'INSTRUCTION  
MANUAL DE INSTRUCCIONES**



# **Cordless Chain Saw Tronçonneuse sans Fil Electrosierra Inalámbrica**

**DUC305  
DUC355  
DUC405**



**IMPORTANT:** Read Before Using.

**IMPORTANT :** Lire avant usage.

**IMPORTANTE:** Lea antes de usar.

# SPECIFICATIONS

Model:		DUC305	DUC355	DUC405
Overall length (without guide bar)		443 mm (17-1/2")		
Rated voltage		D.C. 36 V		
Net weight		4,6 - 5,5 kg (10.1 - 12.1 lbs)		
Standard guide bar length		300 mm (12")	350 mm (14")	400 mm (16")
Recommended guide bar length	with 90PX, 91PX	300 - 400 mm (12 - 16")		
	with 25AP	250 mm (10")		
Applicable saw chain type (refer to the table below)		90PX 91PX 25AP		
Standard sprocket	Number of teeth	6 <sup>1</sup>		
	Pitch	3/8"		
Chain speed		0 - 20 m/s (0 - 1,200 m/min) (0 - 3,940 ft/min)		
Chain oil tank volume		200 cm <sup>3</sup>		

- <sup>1</sup> When using 25AP saw chain, use with Sprocket 9 (optional accessory).
- Due to our continuing program of research and development, the specifications herein are subject to change without notice.
- Specifications and battery cartridge may differ from country to country.
- The weight may differ depending on the attachment(s), including the battery cartridge. The lightest and heaviest combinations, according to EPTA-Procedure 01/2014, are shown in the table.

## Applicable battery cartridge and charger

Battery cartridge	BL1815N / BL1820B / BL1830 / BL1830B / BL1840B / BL1850B / BL1860B
Charger	DC18RC / DC18RD / DC18RE / DC18SD / DC18SE / DC18SF / DC18SH

- Some of the battery cartridges and chargers listed above may not be available depending on your region of residence.

**⚠ WARNING: Only use the battery cartridges and chargers listed above.** Use of any other battery cartridges and chargers may cause injury and/or fire.

## Recommended cord connected power source

Battery adapter	BAP182
Portable power pack	PDC01 / PDC1200

- The cord connected power source(s) listed above may not be available depending on your region of residence.
- Before using the cord connected power source, read instruction and cautionary markings on them.

## Saw chain, guide bar, and sprocket combination

Saw chain type		90PX		
Number of drive links		46	52	56
Guide bar	Guide bar length	300 mm (12")	350 mm (14")	400 mm (16")
	Cutting length	275 mm (10-7/8")	330 mm (13")	370 mm (14-1/2")
	Part No.	165245-8	165246-6	165247-4
	Pitch	3/8"		
	Gauge	1.1 mm (0.043")		
	Type	Sprocket nose bar		
Sprocket	Number of teeth	6		
	Pitch	3/8"		

Saw chain type		91PX		
Number of drive links		46	52	56
Guide bar	Guide bar length	300 mm (12")	350 mm (14")	400 mm (16")
	Cutting length	275 mm (10-7/8")	330 mm (13")	370 mm (14-1/2")
	Part No.	165200-0	165201-8	165202-6
	Pitch	3/8"		
	Gauge	1.3 mm (0.050")		
	Type	Sprocket nose bar		
Sprocket	Number of teeth	6		
	Pitch	3/8"		

Saw chain type		25AP		
Number of drive links		60		
Guide bar	Guide bar length	250 mm (10")		
	Cutting length	230 mm (9")		
	Part No.	168407-7		
	Pitch	1/4"		
	Gauge	1.3 mm (0.050")		
	Type	Curving bar		
Sprocket	Number of teeth	9		
	Pitch	1/4"		

**⚠ WARNING:** Use appropriate combination of the guide bar and saw chain. Otherwise personal injury may result.

# SAFETY WARNINGS

## General power tool safety warnings

**▲WARNING:** Read all safety warnings, instructions, illustrations and specifications provided with this power tool. Failure to follow all instructions listed below may result in electric shock, fire and/or serious injury.

### Save all warnings and instructions for future reference.

The term "power tool" in the warnings refers to your mains-operated (corded) power tool or battery-operated (cordless) power tool.

#### Work area safety

1. **Keep work area clean and well lit.** Cluttered or dark areas invite accidents.
2. **Do not operate power tools in explosive atmospheres, such as in the presence of flammable liquids, gases or dust.** Power tools create sparks which may ignite the dust or fumes.
3. **Keep children and bystanders away while operating a power tool.** Distractions can cause you to lose control.

#### Electrical Safety

1. **Power tool plugs must match the outlet. Never modify the plug in any way. Do not use any adapter plugs with earthed (grounded) power tools.** Unmodified plugs and matching outlets will reduce risk of electric shock.
2. **Avoid body contact with earthed or grounded surfaces, such as pipes, radiators, ranges and refrigerators.** There is an increased risk of electric shock if your body is earthed or grounded.
3. **Do not expose power tools to rain or wet conditions.** Water entering a power tool will increase the risk of electric shock.
4. **Do not abuse the cord. Never use the cord for carrying, pulling or unplugging the power tool. Keep cord away from heat, oil, sharp edges or moving parts.** Damaged or entangled cords increase the risk of electric shock.
5. **When operating a power tool outdoors, use an extension cord suitable for outdoor use.** Use of a cord suitable for outdoor use reduces the risk of electric shock.
6. **If operating a power tool in a damp location is unavoidable, use a ground fault circuit interrupter (GFCI) protected supply.** Use of a GFCI reduces the risk of electric shock.
7. **Power tools can produce electromagnetic fields (EMF) that are not harmful to the user.** However, users of pacemakers and other similar medical devices should contact the maker of their device and/or doctor for advice before operating this power tool.

#### Personal Safety

1. **Stay alert, watch what you are doing and use common sense when operating a power tool. Do not use a power tool while you are tired or under the influence of drugs, alcohol or medication.** A moment of inattention while operating power tools may result in serious personal injury.

2. **Use personal protective equipment. Always wear eye protection.** Protective equipment such as dust mask, non-skid safety shoes, hard hat, or hearing protection used for appropriate conditions will reduce personal injuries.
3. **Prevent unintentional starting. Ensure the switch is in the off-position before connecting to power source and/or battery pack, picking up or carrying the tool.** Carrying power tools with your finger on the switch or energising power tools that have the switch on invites accidents.
4. **Remove any adjusting key or wrench before turning the power tool on.** A wrench or a key left attached to a rotating part of the power tool may result in personal injury.
5. **Do not overreach. Keep proper footing and balance at all times.** This enables better control of the power tool in unexpected situations.
6. **Dress properly. Do not wear loose clothing or jewellery. Keep your hair, clothing and gloves away from moving parts.** Loose clothes, jewellery or long hair can be caught in moving parts.
7. **If devices are provided for the connection of dust extraction and collection facilities, ensure these are connected and properly used.** Use of dust collection can reduce dust-related hazards.
8. **Do not let familiarity gained from frequent use of tools allow you to become complacent and ignore tool safety principles.** A careless action can cause severe injury within a fraction of a second.
9. **Always wear protective goggles to protect your eyes from injury when using power tools. The goggles must comply with ANSI Z87.1 in the USA. It is an employer's responsibility to enforce the use of appropriate safety protective equipment by the tool operators and by other persons in the immediate working area.**

#### Power tool use and care

1. **Do not force the power tool. Use the correct power tool for your application.** The correct power tool will do the job better and safer at the rate for which it was designed.
2. **Do not use the power tool if the switch does not turn it on and off.** Any power tool that cannot be controlled with the switch is dangerous and must be repaired.
3. **Disconnect the plug from the power source and/or remove the battery pack, if detachable, from the power tool before making any adjustments, changing accessories, or storing power tools.** Such preventive safety measures reduce the risk of starting the power tool accidentally.
4. **Store idle power tools out of the reach of children and do not allow persons unfamiliar with the power tool or these instructions to operate the power tool.** Power tools are dangerous in the hands of untrained users.
5. **Maintain power tools and accessories. Check for misalignment or binding of moving parts, breakage of parts and any other condition that may affect the power tool's operation. If damaged, have the power tool repaired before use.** Many accidents are caused by poorly maintained power tools.
6. **Keep cutting tools sharp and clean.** Properly maintained cutting tools with sharp cutting edges are less likely to bind and are easier to control.

## Cordless Chain saw safety warnings

7. **Use the power tool, accessories and tool bits etc. in accordance with these instructions, taking into account the working conditions and the work to be performed.** Use of the power tool for operations different from those intended could result in a hazardous situation.
8. **Keep handles and grasping surfaces dry, clean and free from oil and grease.** Slippery handles and grasping surfaces do not allow for safe handling and control of the tool in unexpected situations.
9. **When using the tool, do not wear cloth work gloves which may be entangled.** The entanglement of cloth work gloves in the moving parts may result in personal injury.

### Battery tool use and care

1. **Recharge only with the charger specified by the manufacturer.** A charger that is suitable for one type of battery pack may create a risk of fire when used with another battery pack.
2. **Use power tools only with specifically designated battery packs.** Use of any other battery packs may create a risk of injury and fire.
3. **When battery pack is not in use, keep it away from other metal objects, like paper clips, coins, keys, nails, screws or other small metal objects, that can make a connection from one terminal to another.** Shorting the battery terminals together may cause burns or a fire.
4. **Under abusive conditions, liquid may be ejected from the battery; avoid contact. If contact accidentally occurs, flush with water. If liquid contacts eyes, additionally seek medical help.** Liquid ejected from the battery may cause irritation or burns.
5. **Do not use a battery pack or tool that is damaged or modified.** Damaged or modified batteries may exhibit unpredictable behaviour resulting in fire, explosion or risk of injury.
6. **Do not expose a battery pack or tool to fire or excessive temperature.** Exposure to fire or temperature above 130 °C may cause explosion.
7. **Follow all charging instructions and do not charge the battery pack or tool outside the temperature range specified in the instructions.** Charging improperly or at temperatures outside the specified range may damage the battery and increase the risk of fire.

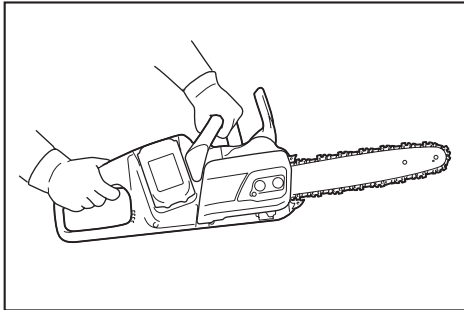
### Service

1. **Have your power tool serviced by a qualified repair person using only identical replacement parts.** This will ensure that the safety of the power tool is maintained.
2. **Never service damaged battery packs.** Service of battery packs should only be performed by the manufacturer or authorized service providers.
3. **Follow instruction for lubricating and changing accessories.**
4. **Do not modify or attempt to repair the appliance or the battery pack except as indicated in the instructions for use and care.**

1. **Keep all parts of the body away from the saw chain when the chain saw is operating. Before you start the chain saw, make sure the saw chain is not contacting anything.** A moment of inattention while operating chain saws may cause entanglement of your clothing or body with the saw chain.
2. **Always hold the chain saw with your right hand on the rear handle and your left hand on the front handle.** Holding the chain saw with a reversed hand configuration increases the risk of personal injury and should never be done.
3. **Hold the power tool by insulated gripping surfaces only, because the saw chain may contact hidden wiring.** Saw chains contacting a "live" wire may make exposed metal parts of the power tool "live" and could give the operator an electric shock.
4. **Wear safety glasses and hearing protection.** Further protective equipment for head, hands, legs and feet is recommended. Adequate protective clothing will reduce personal injury by flying debris or accidental contact with the saw chain.
5. **Do not operate a chain saw in a tree.** Operation of a chain saw while up in a tree may result in personal injury.
6. **Always keep proper footing and operate the chain saw only when standing on fixed, secure and level surface.** Slippery or unstable surfaces such as ladders may cause a loss of balance or control of the chain saw.
7. **When cutting a limb that is under tension be alert for spring back.** When the tension in the wood fibres is released the spring loaded limb may strike the operator and/or throw the chain saw out of control.
8. **Use extreme caution when cutting brush and saplings.** The slender material may catch the saw chain and be whipped toward you or pull you off balance.
9. **Carry the chain saw by the front handle with the chain saw switched off and away from your body. When transporting or storing the chain saw always fit the guide bar cover.** Proper handling of the chain saw will reduce the likelihood of accidental contact with the moving saw chain.
10. **Follow instructions for lubricating, chain tensioning and changing accessories.** Improperly tensioned or lubricated chain may either break or increase the chance for kickback.
11. **Keep handles dry, clean, and free from oil and grease.** Greasy, oily handles are slippery causing loss of control.
12. **Cut wood only. Do not use chain saw for purposes not intended. For example: do not use chain saw for cutting plastic, masonry or non-wood building materials.** Use of the chain saw for operations different than intended could result in a hazardous situation.
13. **Causes and operator prevention of kickback:** Kickback may occur when the nose or tip of the guide bar touches an object, or when the wood closes in and pinches the saw chain in the cut. Tip contact in some cases may cause a sudden reverse reaction, kicking the guide bar up and back towards the operator. Pinching the saw chain along the top of the guide bar may push the guide bar rapidly back towards the operator. Either of these reactions may cause you to lose control of the

saw which could result in serious personal injury. Do not rely exclusively upon the safety devices built into your saw. As a chain saw user, you should take several steps to keep your cutting jobs free from accident or injury. Kickback is the result of tool misuse and/or incorrect operating procedures or conditions and can be avoided by taking proper precautions as given below:

- **Maintain a firm grip, with thumbs and fingers encircling the chain saw handles, with both hands on the saw and position your body and arm to allow you to resist kickback forces.** Kickback forces can be controlled by the operator, if proper precautions are taken. Do not let go of the chain saw.



- **Do not overreach and do not cut above shoulder height.** This helps prevent unintended tip contact and enables better control of the chain saw in unexpected situations.
  - **Only use replacement bars and chains specified by the manufacturer.** Incorrect replacement bars and chains may cause chain breakage and/or kickback.
  - **Follow the manufacturer's sharpening and maintenance instructions for the saw chain.** Decreasing the depth gauge height can lead to increased kickback.
14. **Before starting work, check that the chain saw is in proper working order and that its condition complies with the safety regulations. Check in particular that:**
    - The chain brake is working properly;
    - The run-down brake is working properly;
    - The bar and the sprocket cover are fitted correctly;
    - The chain has been sharpened and tensioned in accordance with the regulations.
  15. **Do not start the chain saw with the chain cover being installed on it.** Starting the chain saw with the chain cover being installed on it may cause the chain cover to be thrown out forward resulting in personal injury and damage to objects around the operator.
  16. **Avoid dangerous environment. Don't use the tool in damp or wet locations or expose it to rain. Water entering the tool will increase the risk of electric shock.**
  17. **Do not dispose of the battery(ies) in a fire. The cell may explode. Check with local codes for possible special disposal instructions.**
  18. **Do not open or mutilate the battery(ies). Released electrolyte is corrosive and may cause damage to the eyes or skin. It may be toxic if swallowed.**



19. **Do not charge battery in rain, or in wet locations.**

## SAVE THESE INSTRUCTIONS.

**⚠WARNING:** DO NOT let comfort or familiarity with product (gained from repeated use) replace strict adherence to safety rules for the subject product. MISUSE or failure to follow the safety rules stated in this instruction manual may cause serious personal injury.

## Symbols

The followings show the symbols used for tool.

v	volts
— — —	direct current
ft/min	feet per minute
	parts number of applicable saw chain and guide bar
	

## Important safety instructions for battery cartridge

1. **Before using battery cartridge, read all instructions and cautionary markings on (1) battery charger, (2) battery, and (3) product using battery.**
2. **Do not disassemble battery cartridge.**
3. **If operating time has become excessively shorter, stop operating immediately. It may result in a risk of overheating, possible burns and even an explosion.**
4. **If electrolyte gets into your eyes, rinse them out with clear water and seek medical attention right away. It may result in loss of your eyesight.**
5. **Do not short the battery cartridge:**
  - (1) **Do not touch the terminals with any conductive material.**
  - (2) **Avoid storing battery cartridge in a container with other metal objects such as nails, coins, etc.**
  - (3) **Do not expose battery cartridge to water or rain.**

A battery short can cause a large current flow, overheating, possible burns and even a breakdown.
6. **Do not store the tool and battery cartridge in locations where the temperature may reach or exceed 50 °C (122 °F).**
7. **Do not incinerate the battery cartridge even if it is severely damaged or is completely worn out. The battery cartridge can explode in a fire.**
8. **Be careful not to drop or strike battery.**
9. **Do not use a damaged battery.**
10. **The contained lithium-ion batteries are subject to the Dangerous Goods Legislation requirements.**

For commercial transports e.g. by third parties, forwarding agents, special requirement on packaging and labeling must be observed.

For preparation of the item being shipped, consulting an expert for hazardous material is required. Please also observe possibly more detailed national regulations. Tape or mask off open contacts and pack up the battery in such a manner that it cannot move around in the packaging.

11. **When disposing the battery cartridge, remove it from the tool and dispose of it in a safe place. Follow your local regulations relating to disposal of battery.**
12. **Use the batteries only with the products specified by Makita.** Installing the batteries to non-compliant products may result in a fire, excessive heat, explosion, or leak of electrolyte.
13. **If the tool is not used for a long period of time, the battery must be removed from the tool.**

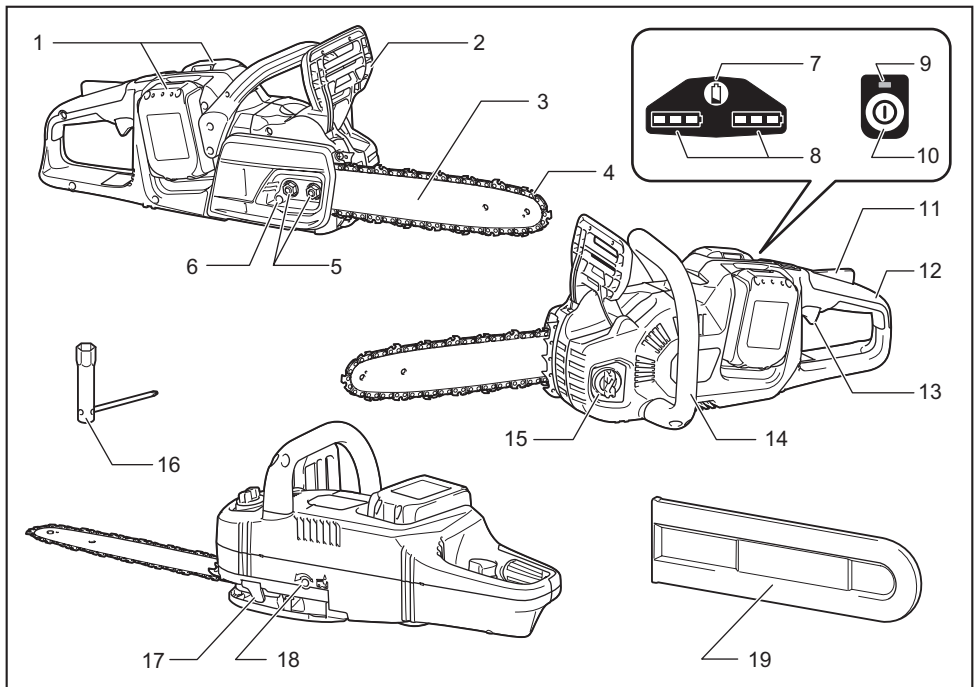
## SAVE THESE INSTRUCTIONS.

**CAUTION:** Only use genuine Makita batteries. Use of non-genuine Makita batteries, or batteries that have been altered, may result in the battery bursting causing fires, personal injury and damage. It will also void the Makita warranty for the Makita tool and charger.

## Tips for maintaining maximum battery life

1. **Charge the battery cartridge before completely discharged. Always stop tool operation and charge the battery cartridge when you notice less tool power.**
2. **Never recharge a fully charged battery cartridge. Overcharging shortens the battery service life.**
3. **Charge the battery cartridge with room temperature at 10 °C - 40 °C (50 °F - 104 °F). Let a hot battery cartridge cool down before charging it.**
4. **Charge the battery cartridge if you do not use it for a long period (more than six months).**

## PARTS DESCRIPTION



1	Battery cartridge	2	Front hand guard	3	Guide bar
4	Saw chain	5	Retaining nut	6	Chain adjusting screw
7	Check button	8	Capacity indicator	9	Main power lamp
10	Main power switch	11	Lock-off lever	12	Rear handle
13	Switch trigger	14	Front handle	15	Oil tank cap
16	Box wrench	17	Chain catcher	18	Adjusting screw (for oil pump)
19	Guide bar cover	-	-	-	-

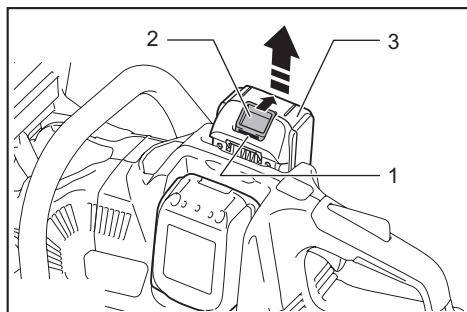
## FUNCTIONAL DESCRIPTION

**CAUTION:** Always be sure that the tool is switched off and the battery cartridge is removed before adjusting or checking function on the tool.

### Installing or removing battery cartridge

**CAUTION:** Always switch off the tool before installing or removing of the battery cartridge.

**CAUTION:** Hold the tool and the battery cartridge firmly when installing or removing battery cartridge. Failure to hold the tool and the battery cartridge firmly may cause them to slip off your hands and result in damage to the tool and battery cartridge and a personal injury.



► 1. Red indicator 2. Button 3. Battery cartridge

To remove the battery cartridge, slide it from the tool while sliding the button on the front of the cartridge.

To install the battery cartridge, align the tongue on the battery cartridge with the groove in the housing and slip it into place. Insert it all the way until it locks in place with a little click. If you can see the red indicator on the upper side of the button, it is not locked completely.

**CAUTION:** Always install the battery cartridge fully until the red indicator cannot be seen. If not, it may accidentally fall out of the tool, causing injury to you or someone around you.

**CAUTION:** Do not install the battery cartridge forcibly. If the cartridge does not slide in easily, it is not being inserted correctly.

**NOTE:** The tool does not work with only one battery cartridge.

**NOTE:** Pay attention to the position of your fingers when installing the battery. The button will be depressed unintentionally.

## Tool / battery protection system





The tool is equipped with a tool/battery protection system. This system automatically cuts off power to the motor to extend tool and battery life. The tool will automatically stop during operation if the tool or battery is placed under one of the following conditions.

### Overload protection

When the tool is operated in a manner that causes it to draw an abnormally high current, the tool automatically stops and the main power lamp will blink. In this situation, turn the tool off and stop the application that caused the tool to become overloaded. Then turn the tool on to restart.

### Overheat protection

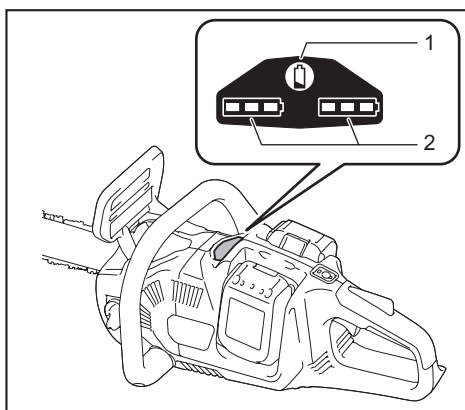
When the tool is overheated, the tool automatically stops and the capacity indicator lamp will blink as illustrated. In this situation, let the tool cool down before turning the tool on again.

Capacity indicator status			Status
 On	 Off	 Blinking	
			Overheated.

### Overdischarge protection

When the battery capacity becomes low, the tool stops automatically. If the product does not operate even when the switches are operated, remove the batteries from the tool and charge the batteries.

## Indicating the remaining battery capacity



► 1. Check button 2. Capacity indicator

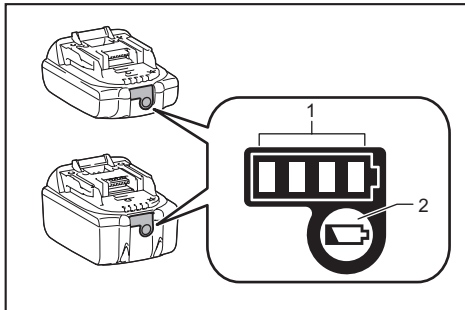
The remaining battery capacity is shown while you are pressing the check button. The capacity indicators correspond to each battery.



Capacity indicator status			Remaining battery capacity
On	Off	Blinking	
			50% to 100%
			20% to 50%
			0% to 20%
			Charge the battery

## Indicating the remaining battery capacity

Only for battery cartridges with the indicator



► 1. Indicator lamps 2. Check button

Press the check button on the battery cartridge to indicate the remaining battery capacity. The indicator lamps light up for a few seconds.

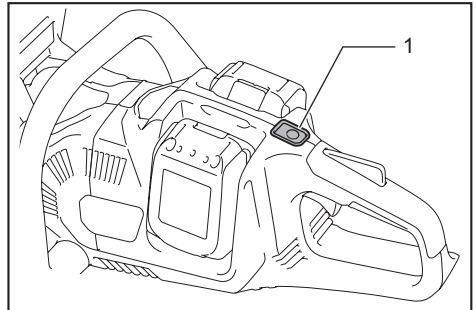
Indicator lamps			Remaining capacity
Lighted	Off	Blinking	
	■ ■ ■ ■		75% to 100%
	■ ■ ■ □		50% to 75%
	■ ■ □ □		25% to 50%
	■ □ □ □		0% to 25%
▨	□ □ □ □		Charge the battery.
■ ■ □ □	□ □	■ ■	The battery may have malfunctioned.

**NOTE:** Depending on the conditions of use and the ambient temperature, the indication may differ slightly from the actual capacity.

## Main power switch

**⚠ WARNING:** Always turn off the main power switch when not in use.

To stand by the chain saw, press the main power switch until the main power lamp lights up. To turn off, press the main power switch again.



► 1. Main power switch

**NOTE:** The main power lamp blinks if the switch trigger is pulled under unoperable conditions. The lamp blinks if you

- turn on the main power switch while holding down the lock-off lever and the switch trigger;
- pull the switch trigger while the chain brake is applied;
- release the chain brake while holding down the lock-off lever and pulling the switch trigger.

**NOTE:** This tool employs the auto power-off function. To avoid unintentional start up, the main power switch will automatically shut down when the switch trigger is not pulled for a certain period after the main power switch is turned on.

## Switch action

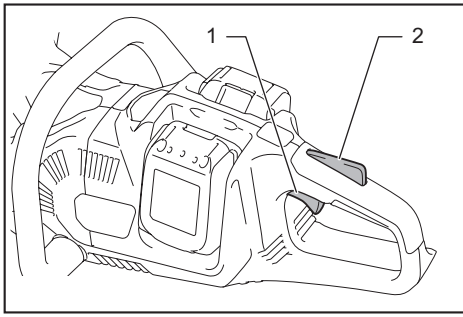
**⚠ WARNING:** For your safety, this tool is equipped with lock-off lever which prevents the tool from unintended starting. NEVER use the tool if it runs when you simply pull the switch trigger without pressing the lock-off lever. Return the tool to our authorized service center for proper repairs BEFORE further usage.

**⚠ WARNING:** NEVER tape down or defeat purpose and function of lock-off lever.

**⚠ CAUTION:** Before installing the battery cartridge into the tool, always check to see that the switch trigger actuates properly and returns to the "OFF" position when released.

**NOTICE:** Do not pull the switch trigger hard without pressing the lock-off lever. This can cause switch breakage.

To prevent the switch trigger from being accidentally pulled, a lock-off lever is provided. To start the tool, depress the lock-off lever and pull the switch trigger. Tool speed is increased by increasing pressure on the switch trigger. Release the switch trigger to stop.



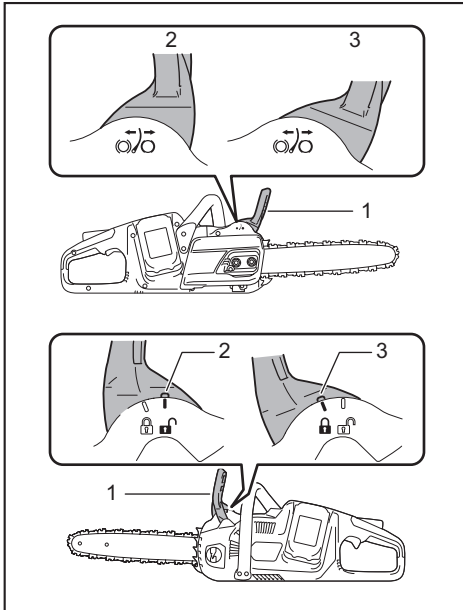
► 1. Switch trigger 2. Lock-off lever

## Checking the chain brake

**CAUTION:** Hold the chain saw with both hands when switching it on. Hold the rear handle with your right hand, the front handle with your left. The bar and the chain must not be in contact with any object.

**CAUTION:** Should the saw chain not stop immediately when this test is performed, the saw may not be used under any circumstances. Consult our authorized service center.

1. Press the lock-off lever, then pull the switch trigger. The saw chain starts immediately.
2. Push the front hand guard forwards with the back of your hand. Make sure that the chain saw comes to an immediate standstill.



► 1. Front hand guard 2. Unlocked position 3. Locked position

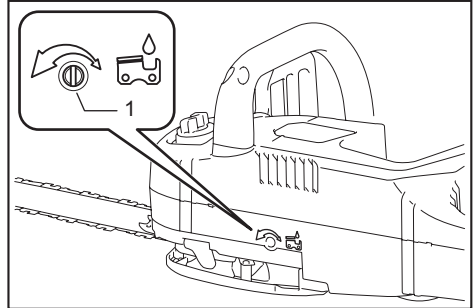
## Checking the run-down brake

**CAUTION:** If the saw chain does not stop within one second in this test, stop using the chain saw and consult our authorized service center.

Run the chain saw then release the switch trigger completely. The saw chain must come to a standstill within one second.

## Adjusting the chain lubrication

You can adjust the oil pump feed rate with the adjusting screw. The amount of oil can be adjusted using the universal wrench.



► 1. Adjusting screw

## ASSEMBLY

**CAUTION:** Always be sure that the tool is switched off and the battery cartridge is removed before carrying out any work on the tool.

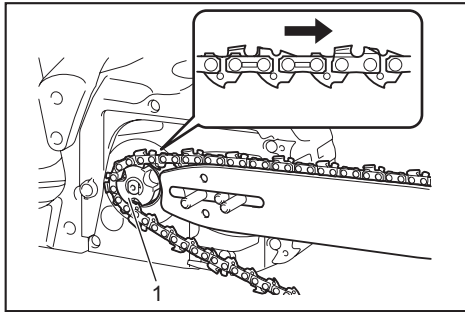
**CAUTION:** Do not touch the saw chain with bare hands. Always wear gloves when handling the saw chain.

## Removing or installing saw chain

**CAUTION:** The saw chain and the guide bar are still hot just after the operation. Let them cool down enough before carrying out any work on the tool.

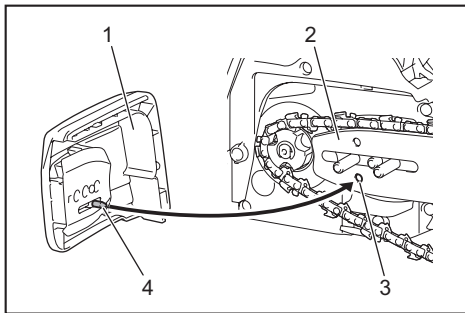
To install the saw chain, perform the following steps:

1. Make sure the direction of the chain. The arrow mark on the chain shows the direction of the chain.
2. Fit in one end of the saw chain on the top of the guide bar and the other end around the sprocket.



► 1. Sprocket

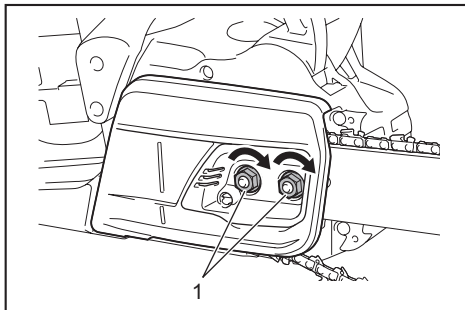
3. Rest the guide bar in place on the chain saw.
4. Place the sprocket cover on the chain saw so that the adjusting pin is positioned in a small hole on the guide bar.



► 1. Sprocket cover 2. Guide bar 3. Hole 4. Adjusting pin

5. Tighten the retaining nuts to secure the sprocket cover, then loosen it a bit for tension adjustment.

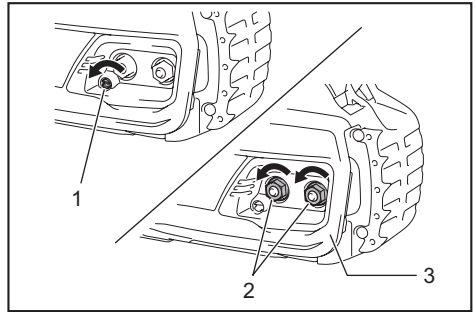
(See the chapter on "Adjusting saw chain tension" for procedure.)



► 1. Retaining nut

To remove the saw chain, perform the following steps:

1. Release the chain brake by pulling the front hand guard.
2. Loosen the chain adjusting screw, then the retaining nuts.



► 1. Chain adjusting screw 2. Retaining nut 3. Sprocket cover

3. Remove the sprocket cover then remove the saw chain and guide bar from the chain saw body.

## Adjusting saw chain tension

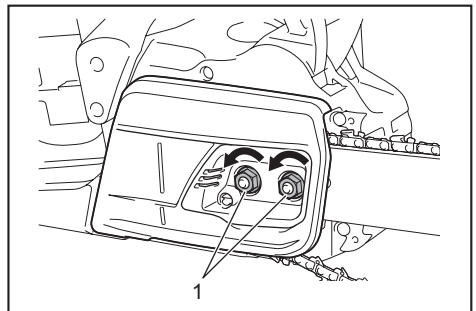
**CAUTION:** Carry out the procedure of installing or removing saw chain in a clean place free from sawdust and the like.

**CAUTION:** Do not tighten the saw chain too much. Excessively high tension of saw chain may cause breakage of saw chain and wear of the guide bar.

**CAUTION:** A chain which is too loose can jump off the bar and it may cause an injury accident.

The saw chain may become loose after many hours of use. From time to time check the saw chain tension before use.

1. Release the chain brake by pulling the front hand guard.
2. Loosen the retaining nuts a bit to loosen the sprocket cover lightly.

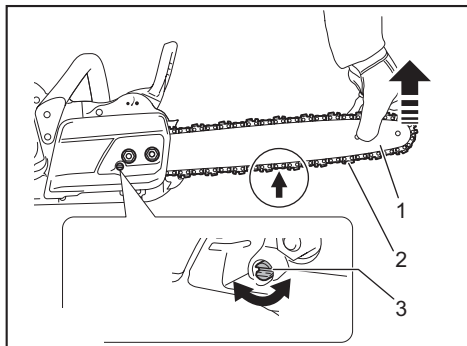


► 1. Retaining nut

3. Lift up the guide bar tip slightly and adjust the chain tension. Turn the chain adjusting screw clockwise to tighten, turn it counterclockwise to loosen.

#### For chain blade 90PX and 91PX:

Tighten the saw chain until the lower side of the saw chain fits in the guide bar rail as illustrated.

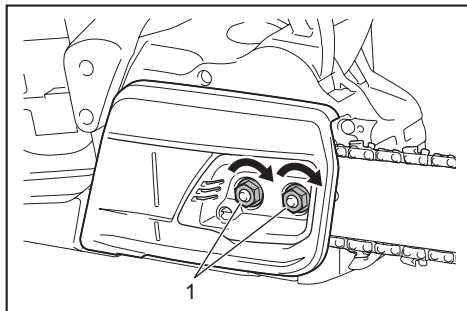


- 1. Guide bar 2. Saw chain 3. Chain adjusting screw

#### For chain blade 25AP:

Tighten the saw chain so that the gap between the center of the lower side of the guide bar and the saw chain becomes approximately 1 mm to 2 mm.

4. Keep holding the guide bar lightly and tighten the retaining nuts to secure the sprocket cover.



- 1. Retaining nut

#### For chain blade 90PX and 91PX:

Make sure that the saw chain does not loose at the lower side.

Make sure the saw chain fits snugly against the lower side of the bar.

#### For chain blade 25AP:

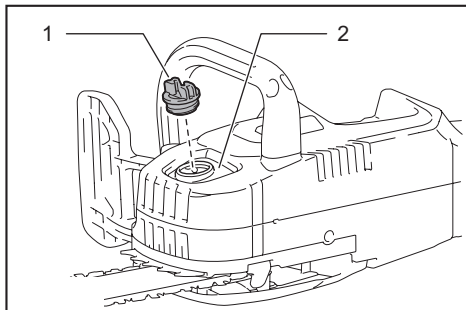
Make sure that the gap between the center of the lower side of the guide bar and the saw chain is approximately 1 mm to 2 mm.

## OPERATION

### Lubrication

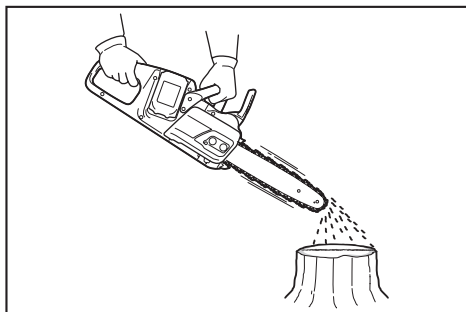
Saw chain is automatically lubricated when the tool is in operation. Check the amount of remaining oil in the oil tank periodically.

To refill the tank, lay the chain saw on its side and remove the oil tank cap. The proper amount of oil is 200 ml. After refilling the tank, make sure that the oil tank cap is tightened securely.



- 1. Oil tank cap 2. Oil tank (translucent)

After refilling, hold the chain saw away from the tree. Start it and wait until lubrication on saw chain is adequate.



**NOTICE:** When filling the chain oil for the first time, or refilling the tank after it has been completely emptied, add oil up to the bottom edge of the filler neck. The oil delivery may otherwise be impaired.

**NOTICE:** Use the saw chain oil exclusively for Makita chain saws or equivalent oil available in the market.

**NOTICE:** Never use oil including dust and particles or volatile oil.

**NOTICE:** When pruning trees, use botanical oil. Mineral oil may harm trees.

**NOTICE:** Before the cutting operation, make sure that the provided oil tank cap is screwed in place.

## WORKING WITH THE CHAIN SAW

**CAUTION:** The first time user should, as a minimum practice, do cutting logs on a saw-horse or cradle.

**CAUTION:** When sawing pre-cut timber, use a safe support (saw horse or cradle). Do not steady the workpiece with your foot, and do not allow anyone else to hold or steady it.

**CAUTION:** Secure round pieces against rotation.

**CAUTION:** Keep all parts of the body away from the saw chain when the motor is operating.

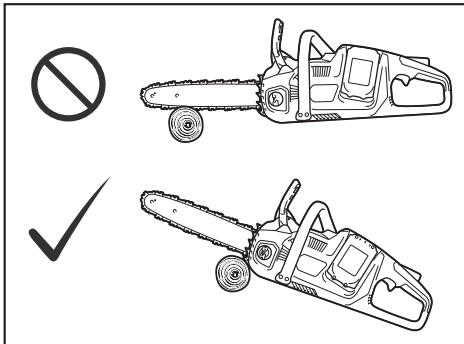
**CAUTION:** Hold the chain saw firmly with both hands when the motor is running.

**CAUTION:** Do not overreach. Keep proper footing and balance at all times.

**NOTICE:** Never toss or drop the tool.

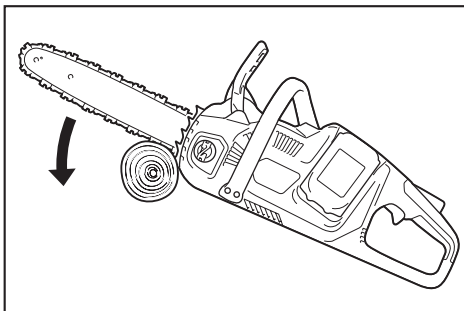
**NOTICE:** Do not cover the vents of the tool.

Bring the bottom edge of the chain saw body into contact with the branch to be cut before switching on. Otherwise it may cause the guide bar to wobble, resulting in injury to operator. Saw the wood to be cut by just moving it down by using the weight of the chain saw.



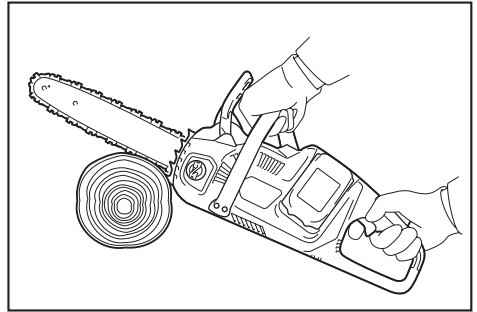
If you cannot cut the timber right through with a single stroke:

Apply light pressure to the handle and continue sawing and draw the chain saw back a little; then apply the spike bumper a little lower and finish the cut by raising the handle.



## Bucking

1. Rest the bottom edge of the chain saw body on the wood to be cut.

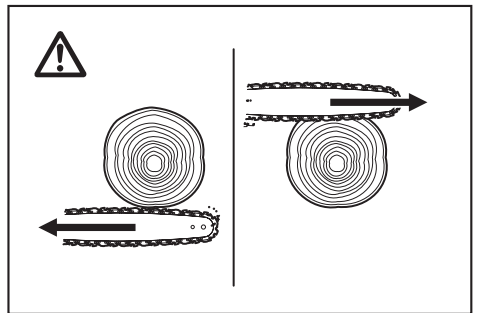


2. With the saw chain running, saw into the wood while using the rear handle to raise the saw and the front one to guide it. Use the spike bumper as a pivot.

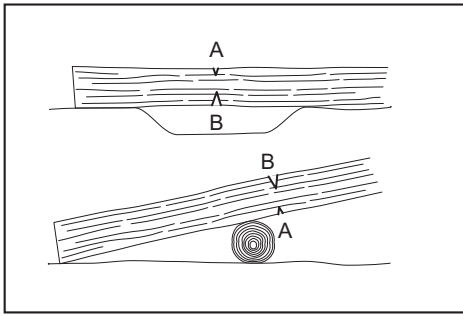
3. Continue the cut by applying slight pressure to the front handle, easing the saw back slightly. Move the spike bumper further down the timber and raise the front handle again.

**NOTICE:** When making several cuts, switch the chain saw off between cuts.

**CAUTION:** If the upper edge of the bar is used for cutting, the chain saw may be deflected in your direction if the chain becomes trapped. For this reason, cut with the lower edge, so that the saw will be deflected away from your body.



When you cut a wood under tension, cut the pressured side (A) first. Then make the final cut from the tensioned side (B). This prevents the bar from becoming trapped.



## Limbing

**CAUTION:** Limbing may only be performed by trained persons. A hazard is presented by the risk of kickback.

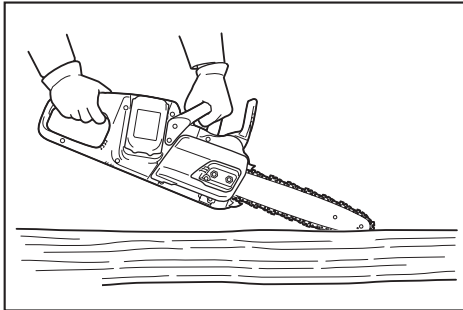
When limbing, support the chain saw on the trunk if possible. Do not cut with the tip of the bar, as this presents a risk of kickback.

Pay particular attention to branches under tension. Do not cut unsupported branches from below. Do not stand on the felled trunk when limbing.

## Burrowing and parallel-to-grain cuts

**CAUTION:** Burrowing and parallel-to-grain cuts may only be carried out by persons with special training. The possibility of kickback presents a risk of injury.

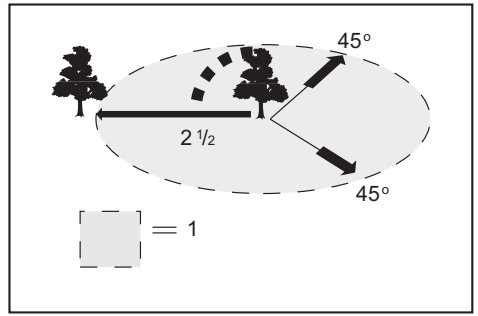
Perform parallel-to-grain cuts at as shallow an angle as possible. Take an extra caution when carrying out the cut as the spike bumper cannot be used.



## Felling

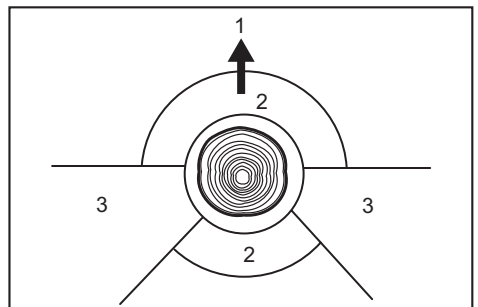
**CAUTION:** Felling work may only be performed by trained persons. The work is hazardous.

Observe local regulations if you wish to fell a tree.



### ► 1. Felling area

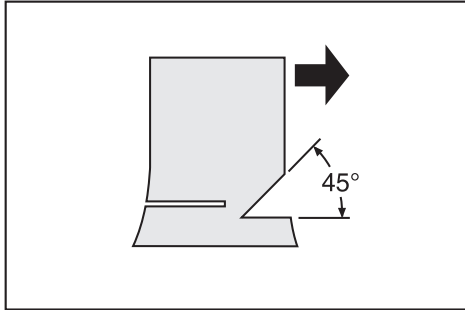
- Before starting felling work, ensure that:
  - Only persons involved in the felling operation are in the vicinity;
  - Any person involved has an unhindered path of retreat through a range of approximately 45° either side of the felling axis. Consider the additional risk of tripping over electrical cables;
  - The base of the trunk is free of foreign objects, roots and ranches;
  - No persons or objects are present over a distance of 2 1/2 tree lengths in the direction in which the tree will fall.
- Consider the following with respect to each tree:
  - Direction of lean;
  - Loose or dry branches;
  - Height of the tree;
  - Natural overhang;
  - Whether or not the tree is rotten.
- Consider the wind speed and direction. Do not carry out felling work if the wind is gusting strongly.
- Trimming of root swellings: Begin with the largest swellings. Make the vertical cut first, then the horizontal cut.
- Stand to the side of the falling tree. Keep an area clear to the rear of the falling tree up to an angle of 45° either side of the tree axis (refer to the "felling area" figure). Pay attention to falling branches.
- An escape path should be planned and cleared as necessary before cuts are started. The escape path should extend back and diagonally to the rear of the expected line of fall as illustrated in figure.



### ► 1. Felling direction 2. Danger zone 3. Escape route

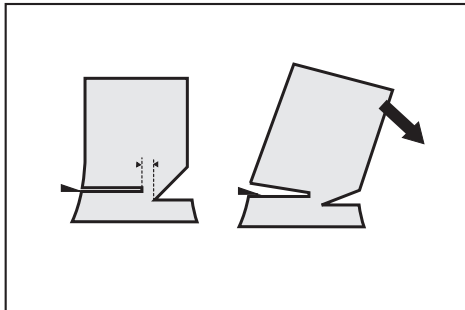
When felling trees, follow the procedures below:

1. Cut a scarf as close to the ground as possible. First make the horizontal cut to a depth of 1/5 - 1/3 of the trunk diameter. Do not make the scarf too large. Then make the diagonal cut.



**NOTE:** The scarf determines the direction in which the tree will fall, and guides it. It is made on the side towards which the tree is to fall.

2. Make the back cut a little higher than the base cut of the scarf. The back cut must be exactly horizontal. Leave approximately 1/10 of the trunk diameter between the back cut and the scarf. The wood fibers in the uncut trunk portion act as a hinge. Insert wedges into the back cut in time.

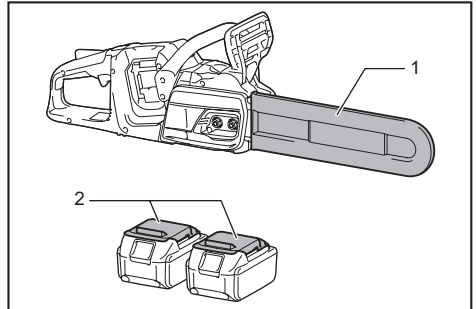


**WARNING:** Do not cut right through the fibers under any circumstances. The tree will otherwise fall unchecked.

**NOTICE:** Only plastic or aluminum wedges may be used to keep the back cut open. The use of iron wedges is prohibited.

## Carrying tool

Before carrying the tool, always apply the chain brake and remove the battery cartridges from the tool. Then attach the guide bar cover. Also cover the battery cartridge with the battery cover.



► 1. Guide bar cover 2. Battery cover

## MAINTENANCE

**CAUTION:** Always be sure that the tool is switched off and the battery cartridge is removed before attempting to perform inspection or maintenance.

**CAUTION:** Always wear gloves when performing any inspection or maintenance.

**NOTICE:** Never use gasoline, benzine, thinner, alcohol or the like. Discoloration, deformation or cracks may result.

To maintain product SAFETY and RELIABILITY, repairs, any other maintenance or adjustment should be performed by Makita Authorized or Factory Service Centers, always using Makita replacement parts.

## Sharpening the saw chain

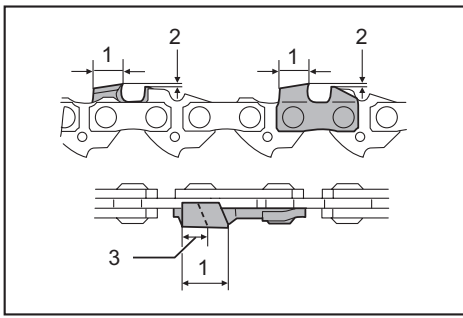
Sharpen the saw chain when:

- Mealy sawdust is produced when damp wood is cut;
- The chain penetrates the wood with difficulty, even when heavy pressure is applied;
- The cutting edge is obviously damaged;
- The saw pulls to the left or right in the wood. (caused by uneven sharpening of the saw chain or damage to one side only)

Sharpen the saw chain frequently but a little each time. Two or three strokes with a file are usually sufficient for routine resharpening. When the saw chain has been resharpened several times, have it sharpened in our authorized service center.

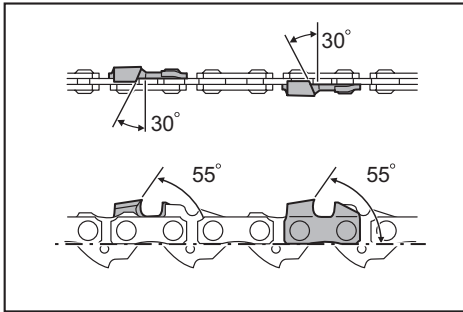
Sharpening criteria:

**WARNING:** An excessive distance between the cutting edge and depth gauge increases the risk of kickback.



► 1. Cutter length 2. Distance between cutting edge and depth gauge 3. Minimum cutter length (3 mm (1/8"))

- All cutter length must be equal. Different cutter lengths prevent the saw chain from running smoothly and may cause the saw chain to break.
- Do not sharpen the chain when the cutter length has reached 3 mm (1/8") or shorter. The chain must be replaced with new one.
- The chip thickness is determined by the distance between the depth gauge (round nose) and the cutting edge.
- The best cutting results are obtained with following distance between cutting edge and depth gauge.
  - Chain blade 90PX : 0.65 mm (0.025")
  - Chain blade 91PX : 0.65 mm (0.025")
  - Chain blade 25AP : 0.65 mm (0.025")

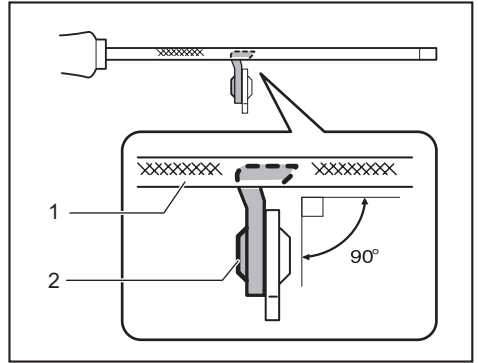


- The sharpening angle of 30° must be the same on all cutters. Different cutter angles cause the chain to run roughly and unevenly, accelerate wear, and lead to chain breaks.
- Use a suitable round file so that the proper sharpening angle is kept against the teeth.
  - Chain blade 90PX : 55°
  - Chain blade 91PX : 55°
  - Chain blade 25AP : 55°

### File and file guiding

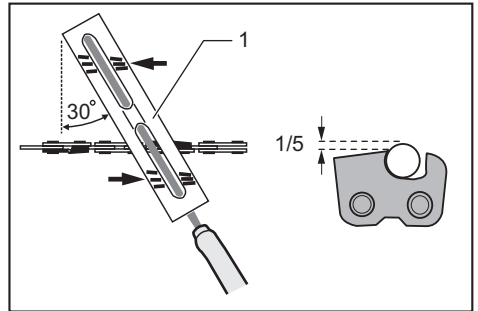
- Use a special round file (optional accessory) for saw chains to sharpen the chain. Normal round files are not suitable.
- Diameter of the round file for each saw chain is as follows:
  - Chain blade 90PX : 4.5 mm (3/16")
  - Chain blade 91PX : 4.0 mm (5/32")
  - Chain blade 25AP : 4.0 mm (5/32")

- The file should only engage the cutter on the forward stroke. Lift the file off the cutter on the return stroke.
- Sharpen the shortest cutter first. Then the length of this shortest cutter becomes the standard for all other cutters on the saw chain.
- Guide the file as shown in the figure.



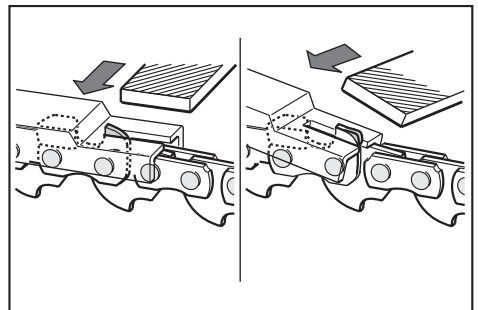
► 1. File 2. Saw chain

- The file can be guided more easily if a file holder (optional accessory) is employed. The file holder has markings for the correct sharpening angle of 30° (align the markings parallel to the saw chain) and limits the depth of penetration (to 4/5 of the file diameter).



► 1. File holder

- After sharpening the chain, check the height of the depth gauge using the chain gauge tool (optional accessory).

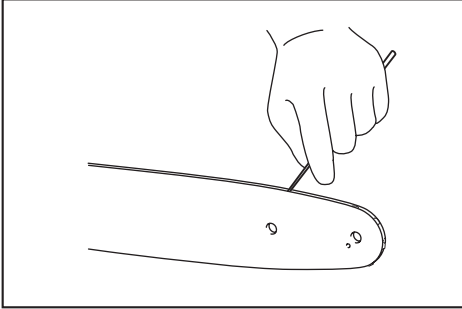


- Remove any projecting material, however small, with a special flat file (optional accessory).
- Round off the front of the depth gauge again.



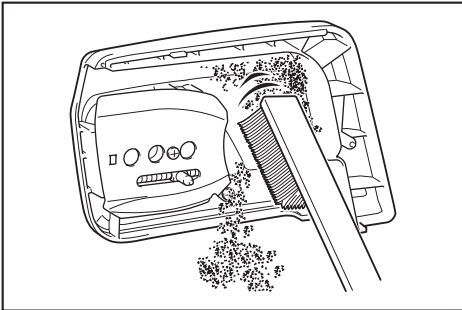
## Cleaning the guide bar

Chips and sawdust will build up in the guide bar groove. They may clog the bar groove and impair the oil flow. Clean out the chips and sawdust every time when you sharpen or replace the saw chain.



## Cleaning the sprocket cover

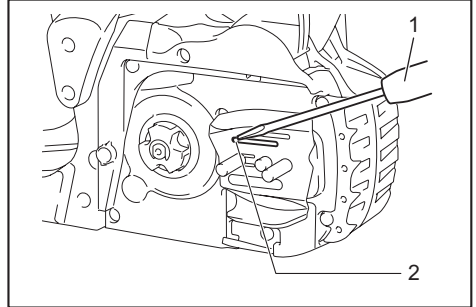
Chips and saw dust will accumulate inside of the sprocket cover. Remove the sprocket cover and saw chain from the tool then clean the chips and saw dust.



## Cleaning the oil discharge hole

Small dust or particles may be built up in the oil discharge hole during operation. These dust or particles may impair the oil to flow and cause an insufficient lubrication on the whole saw chain. When a poor chain oil delivery occurs at the top of guide bar, clean the oil discharge hole as follows.

1. Remove the sprocket cover and saw chain from the tool.
2. Remove the small dust or particles using a slotted screwdriver or the like.



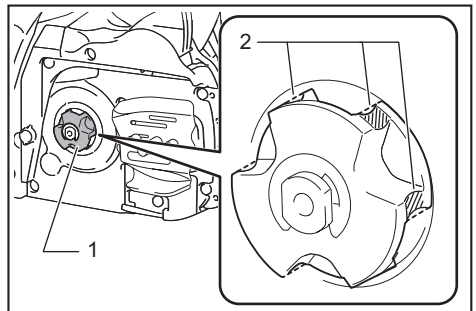
- 1. Slotted screwdriver 2. Oil discharge hole

3. Insert the battery cartridge into the tool. Pull the switch trigger to flow built-up dust or particles off the oil discharge hole by discharging chain oil.
4. Remove the battery cartridge from the tool. Reinstall the sprocket cover and saw chain on the tool.

## Replacing the sprocket

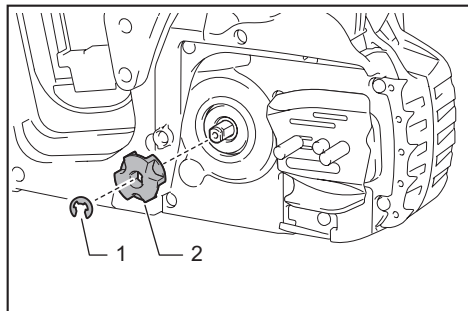
**CAUTION:** A worn sprocket will damage a new saw chain. Have the sprocket replaced in this case.

Before fitting a new saw chain, check the condition of the sprocket.



- 1. Sprocket 2. Areas to be worn out

Always fit a new locking ring when replacing the sprocket.



► 1. Locking ring 2. Sprocket

**NOTICE:** Make sure that the sprocket is installed as shown in the figure.

### Storing the tool

1. Clean the tool before storing. Remove any chips and sawdust from the tool after removing the sprocket cover.
2. After cleaning the tool, run it under no load to lubricate the saw chain and guide bar.
3. Cover the guide bar with the guide bar cover.
4. Empty the oil tank.

## Instructions for periodic maintenance

To ensure long life, prevent damage and ensure the full functioning of the safety features, the following maintenance must be performed regularly. Warranty claims can be recognized only if this work is performed regularly and properly. Failure to perform the prescribed maintenance work can lead to accidents! The user of the chain saw must not perform maintenance work which is not described in the instruction manual. All such work must be carried out by our authorized service center.

Check item / Operating time		Before operation	Everyday	Every week	Every 3 month	Annually	Before storage
Chain saw	Inspection.	✓	-	-	-	-	-
	Cleaning.	-	✓	-	-	-	-
	Check at authorized service center.	-	-	-	-	✓	✓
Saw chain	Inspection.	✓	-	-	-	-	-
	Sharpening if necessary.	-	-	-	-	-	✓
Guide bar	Inspection.	✓	✓	-	-	-	-
	Remove from the chain saw.	-	-	-	-	-	✓
Chain brake	Check the function.	✓	-	-	-	-	-
	Have it inspected regularly at authorized service center.	-	-	-	✓	-	-
Chain lubrication	Check the oil feed rate.	✓	-	-	-	-	-
Switch trigger	Inspection.	✓	-	-	-	-	-
Lock-off lever	Inspection.	✓	-	-	-	-	-
Oil tank cap	Check tightness.	✓	-	-	-	-	-
Chain catcher	Inspection.	-	-	✓	-	-	-
Screws and nuts	Inspection.	-	-	✓	-	-	-

# TROUBLESHOOTING

Before asking for repairs, conduct your own inspection first. If you find a problem that is not explained in the manual, do not attempt to dismantle the tool. Instead, ask Makita Authorized Service Centers, always using Makita replacement parts for repairs.

Malfunztion status	Cause	Action
The chain saw does not start.	Two battery cartridges are not installed.	Install two charged battery cartridges.
	Battery problem (low voltage).	Recharge the battery cartridges. If recharging is not effective, replace the battery cartridge.
	Main power switch is off.	The chain saw is automatically turned off if it is un-operated for a certain period. Turn on the main power switch again.
The saw chain does not run.	Chain brake activated.	Release chain brake.
The motor stops running after a little use.	Battery's charge level is low.	Recharge the battery cartridges. If recharging is not effective, replace the battery cartridge.
No oil on the chain.	Oil tank is empty.	Fill the oil tank.
	Oil guide groove is dirty.	Clean the groove.
	Poor oil delivery.	Adjust the amount of oil delivery with the adjusting screw.
The chain saw does not reach maximum RPM.	Battery cartridge is installed improperly.	Install the battery cartridges as described in this manual.
	Battery power is dropping.	Recharge the battery cartridges. If recharging is not effective, replace the battery cartridge.
	The drive system does not work correctly.	Ask the authorized service center in your region for repair.
The main power lamp is blinking.	Switch trigger is pulled under an unoperable condition.	Pull the switch trigger after the main power switch is turned on and the chain brake is released.
Chain does not stop even the chain brake is activated: <b>Stop the machine immediately!</b>	The brake band is worn down.	Ask the authorized service center in your region for repair.
Abnormal vibration: <b>Stop the machine immediately!</b>	Loose guide bar or saw chain.	Adjust the guide bar and saw chain tension.
	Tool malfunction.	Ask the authorized service center in your region for repair.

## OPTIONAL ACCESSORIES

**CAUTION:** These accessories or attachments are recommended for use with your Makita tool specified in this manual. The use of any other accessories or attachments might present a risk of injury to persons. Only use accessory or attachment for its stated purpose.

If you need any assistance for more details regarding these accessories, ask your local Makita Service Center.

- Saw chain
- Guide bar
- Guide bar cover
- Sprocket
- File
- Tool bag
- Makita genuine battery and charger

**WARNING:** If you purchase a guide bar of different length from the standard guide bar, also purchase a suitable guide bar cover together. It must fit and fully cover the guide bar on the chain saw.

**NOTE:** Some items in the list may be included in the tool package as standard accessories. They may differ from country to country.

## MAKITA LIMITED WARRANTY

Please refer to the annexed warranty sheet for the most current warranty terms applicable to this product. If annexed warranty sheet is not available, refer to the warranty details set forth at below website for your respective country.

United States of America: [www.makitatools.com](http://www.makitatools.com)

Canada: [www.makita.ca](http://www.makita.ca)

Other countries: [www.makita.com](http://www.makita.com)

## SPÉCIFICATIONS

Modèle :		DUC305	DUC355	DUC405
Longueur totale (sans guide-chaîne)		443 mm (17-1/2")		
Tension nominale		C.C. 36 V		
Poids net		4,6 - 5,5 kg (10,1 - 12,1 lbs)		
Longueur du guide-chaîne standard		300 mm (12")	350 mm (14")	400 mm (16")
Longueur recommandée du guide-chaîne	avec 90PX, 91PX	300 - 400 mm (12 - 16")		
	avec 25AP	250 mm (10")		
Type de chaîne applicable (voir le tableau ci-dessous)		90PX 91PX 25AP		
Pignon standard	Nombre de dents	6 <sup>1</sup>		
	Pas	3/8"		
Vitesse de la chaîne		0 - 20 m/s (0 - 1 200 m/min) (0 - 3 940 ft/min)		
Volume du réservoir d'huile à chaîne		200 cm <sup>3</sup>		

- <sup>1</sup> Lors de l'utilisation de la chaîne 25AP, utilisez le pignon 9 (accessoire en option).
- Étant donné l'évolution constante de notre programme de recherche et développement, les spécifications contenues dans ce manuel sont sujettes à modification sans préavis.
- Les spécifications et la batterie peuvent varier suivant les pays.
- Le poids peut varier selon les accessoires, y compris la batterie. La plus légère et la plus lourde combinaisons, selon la procédure EPTA 01/2014, sont indiquées dans le tableau.

### Batteries et chargeurs applicables

Batterie	BL1815N / BL1820B / BL1830 / BL1830B / BL1840B / BL1850B / BL1860B
Chargeur	DC18RC / DC18RD / DC18RE / DC18SD / DC18SE / DC18SF / DC18SH

- Suivant la région où vous habitez, il se peut que certaines des batteries et certains des chargeurs énumérés ci-dessus ne soient pas disponibles.

**⚠ MISE EN GARDE : Utilisez exclusivement les batteries et chargeurs énumérés ci-dessus.** L'utilisation de toute autre batterie ou tout autre chargeur peut entraîner une blessure et/ou un incendie.

### Source d'alimentation connectée au cordon recommandée

Adaptateur de batterie	BAP182
Support d'alimentation portable	PDC01 / PDC1200

- Suivant la région où vous habitez, il se peut que la ou les sources d'alimentation connectées au cordon énumérées ci-dessus ne soient pas disponibles.
- Avant d'utiliser la source d'alimentation connectée au cordon, lisez les instructions et indications de mise en garde qui se trouvent sur celle-ci.

## Combinaison de chaîne, guide-chaîne et pignon

Type de chaîne		90PX		
Nombre de maillons d'entraînement		46	52	56
Guide-chaîne	Longueur du guide-chaîne	300 mm (12")	350 mm (14")	400 mm (16")
	Longueur de coupe	275 mm (10-7/8")	330 mm (13")	370 mm (14-1/2")
	Numéro de pièce	165245-8	165246-6	165247-4
	Pas	3/8"		
	Jauge	1,1 mm (0,043")		
	Type	Guide-chaîne à pignon de renvoi		
Pignon	Nombre de dents	6		
	Pas	3/8"		

Type de chaîne		91PX		
Nombre de maillons d'entraînement		46	52	56
Guide-chaîne	Longueur du guide-chaîne	300 mm (12")	350 mm (14")	400 mm (16")
	Longueur de coupe	275 mm (10-7/8")	330 mm (13")	370 mm (14-1/2")
	Numéro de pièce	165200-0	165201-8	165202-6
	Pas	3/8"		
	Jauge	1,3 mm (0,050")		
	Type	Guide-chaîne à pignon de renvoi		
Pignon	Nombre de dents	6		
	Pas	3/8"		

Type de chaîne		25AP		
Nombre de maillons d'entraînement		60		
Guide-chaîne	Longueur du guide-chaîne	250 mm (10")		
	Longueur de coupe	230 mm (9")		
	Numéro de pièce	168407-7		
	Pas	1/4"		
	Jauge	1,3 mm (0,050")		
	Type	Barre incurvée		
Pignon	Nombre de dents	9		
	Pas	1/4"		

**▲ MISE EN GARDE** : Utilisez la bonne combinaison de guide-chaîne et de chaîne. Autrement il y a risque de blessure.

# CONSIGNES DE SÉCURITÉ

## Consignes de sécurité générales pour outils électriques

**⚠ MISE EN GARDE** : Lisez toutes les mises en garde, instructions, illustrations et spécifications qui accompagnent cet outil électrique. Il y a un risque de décharge électrique, d'incendie et/ou de blessure grave si les instructions ci-dessous ne sont pas toutes respectées.

## Conservez toutes les mises en garde et instructions pour référence future.

Le terme « outil électrique » qui figure dans les avertissements fait référence à un outil électrique branché sur une prise de courant (par un cordon d'alimentation) ou alimenté par batterie (sans fil).

### Sécurité de la zone de travail

1. **Maintenez la zone de travail propre et bien éclairée.** Les zones de travail encombrées ou sombres ouvrent grande la porte aux accidents.
2. **N'utilisez pas les outils électriques dans les atmosphères explosives, par exemple en présence de liquides, gaz ou poussières inflammables.** Les outils électriques produisent des étincelles au contact desquelles la poussière ou les vapeurs peuvent s'enflammer.
3. **Assurez-vous qu'aucun enfant ou curieux ne s'approche pendant que vous utilisez un outil électrique.** Vous risquez de perdre la maîtrise de l'outil si votre attention est détournée.

### Sécurité en matière d'électricité

1. **Les fiches d'outil électrique sont conçues pour s'adapter parfaitement aux prises de courant. Ne modifiez jamais la fiche de quelque façon que ce soit. N'utilisez aucun adaptateur de fiche sur les outils électriques avec mise à la terre.** En ne modifiant pas les fiches et en les insérant dans des prises de courant pour lesquelles elles ont été conçues, vous réduirez les risques de choc électrique.
2. **Évitez tout contact corporel avec les surfaces mises à la terre, telles que tuyaux, radiateurs, cuisinières et réfrigérateurs.** Le risque de choc électrique est plus élevé si votre corps se trouve mis à la terre.
3. **N'exposez pas les outils électriques à la pluie ou à l'eau.** La présence d'eau dans un outil électrique augmente le risque de choc électrique.
4. **Ne maltraitez pas le cordon. N'utilisez jamais le cordon pour transporter, tirer ou débrancher l'outil électrique. Maintenez le cordon à l'écart des sources de chaleur, de l'huile, des objets à bords tranchants et des pièces en mouvement.** Le risque de choc électrique est plus élevé lorsque les cordons sont endommagés ou enchevêtrés.
5. **Lorsque vous utilisez un outil électrique à l'extérieur, utilisez un cordon prolongateur conçu pour l'usage extérieur.** Les risques de choc électrique est moindre lorsqu'un cordon conçu pour l'usage extérieur est utilisé.

6. **Si vous devez utiliser un outil électrique dans un endroit humide, utilisez une source d'alimentation protégée par un disjoncteur de fuite à la terre.** L'utilisation d'un disjoncteur de fuite à la terre réduit le risque de choc électrique.
7. **Les outils électriques peuvent produire des champs électromagnétiques (CEM) qui ne sont pas préjudiciables à l'utilisateur.** Les utilisateurs de stimulateur cardiaque ou autres appareils médicaux similaires doivent toutefois demander conseil au fabricant et/ou à leur médecin avant d'utiliser cet outil électrique.

### Sécurité personnelle

1. **Restez alerte, attentif à vos mouvements et faites preuve de bon sens lorsque vous utilisez un outil électrique. N'utilisez pas les outils électriques si vous êtes fatigué ou avez pris une drogue, de l'alcool ou un médicament.** Un moment d'inattention pendant l'utilisation d'un outil électrique peut entraîner une grave blessure.
2. **Portez des dispositifs de protection personnelle. Portez toujours une protection oculaire.** Les risques de blessure seront moins élevés si vous utilisez des dispositifs de protection tels qu'un masque anti-poussière, des chaussures à semelle antidérapante, une coiffure résistante ou une protection d'oreilles.
3. **Évitez les démarrages accidentels. Assurez-vous que l'interrupteur est en position d'arrêt avant de brancher l'outil à la prise de courant et/ou au bloc-piles, et avant de prendre ou de transporter l'outil.** Vous ouvrez la porte aux accidents si vous transportez les outils électriques avec le doigt sur l'interrupteur ou si vous les branchez alors que l'interrupteur est en position de marche.
4. **Retirez toute clé de réglage ou de serrage avant de mettre l'outil électrique sous tension.** Toute clé laissée en place sur une pièce rotative de l'outil électrique peut entraîner une blessure.
5. **Ne vous étirez pas exagérément. Assurez-vous d'une bonne prise au sol et d'un bon équilibre en tout temps.** Cela vous permettra d'avoir une meilleure maîtrise de l'outil électrique dans les situations imprévues.
6. **Portez des vêtements adéquats. Ne portez ni vêtements amples ni bijoux. Gardez vos cheveux, vêtements et gants à l'écart des pièces en mouvement.** Les vêtements amples, bijoux ou cheveux longs peuvent être happés par les pièces en mouvement.
7. **Si des accessoires sont fournis pour raccorder un appareil d'aspiration et de collecte de la poussière, assurez-vous qu'ils sont correctement raccordés et qu'ils sont utilisés de manière adéquate.** L'utilisation d'un appareil de collecte permet de réduire les risques liés à la présence de poussière dans l'air.
8. **Évitez d'être complaisant et d'ignorer les principes de sécurité de l'outil en raison de la familiarité acquise par un usage fréquent des outils.** Un geste imprudent peut entraîner une grave blessure en une fraction de seconde.
9. **Portez toujours des lunettes à coques de protection pour protéger vos yeux contre les blessures lors de l'utilisation d'outils électriques. Les lunettes à coques doivent être conformes à ANSI Z87.1 aux États-Unis.**

L'employeur a la responsabilité d'imposer l'utilisation d'équipements de protection de sécurité adéquats aux utilisateurs des outils électriques et à toute autre personne se trouvant dans la zone de travail immédiate.

#### Utilisation et entretien des outils électriques

1. **Ne forcez pas l'outil électrique. Utilisez l'outil électrique adéquat suivant le type de travail à effectuer.** Si vous utilisez l'outil électrique adéquat et respectez le régime pour lequel il a été conçu, il effectuera un travail de meilleure qualité et plus sécuritaire.
2. **N'utilisez pas l'outil électrique s'il n'est pas possible de l'allumer et de l'éteindre avec son interrupteur.** Un outil électrique dont l'interrupteur est défectueux représente un danger et doit être réparé.
3. **Avant d'effectuer tout réglage, de remplacer un accessoire ou de ranger l'outil électrique, débranchez la fiche de la source d'alimentation et/ou retirez la batterie de l'outil électrique si elle est amovible.** Ces mesures préventives de sécurité réduisent les risques de démarrage accidentel de l'outil électrique.
4. **Après l'utilisation d'un outil électrique, rangez-le hors de portée des enfants et ne laissez aucune personne l'utiliser si elle n'est pas familiarisée avec l'outil électrique ou les présentes instructions d'utilisation.** Les outils électriques représentent un danger entre les mains de personnes qui n'en connaissent pas le mode d'utilisation.
5. **Effectuez l'entretien des outils électriques et des accessoires. Assurez-vous que les pièces mobiles ne sont pas désalignées ou coincées, qu'aucune pièce n'est cassée et que l'outil électrique n'a subi aucun dommage affectant son bon fonctionnement. Le cas échéant, faites réparer l'outil électrique avant de l'utiliser.** De nombreux accidents sont causés par des outils électriques mal entretenus.
6. **Maintenez les outils tranchants bien aiguisés et propres.** Un outil tranchant dont l'entretien est effectué correctement et dont les bords sont bien aiguisés risquera moins de se coincer et sera plus facile à maîtriser.
7. **Utilisez l'outil électrique, ses accessoires, ses embouts, etc., en respectant les présentes instructions, en tenant compte des conditions de travail et du type de travail à effectuer.** L'utilisation d'un outil électrique pour d'autres usages que ceux prévus peut entraîner une situation dangereuse.
8. **Gardez les poignées et surfaces de saisie sèches, propres et exemptes d'huile et de graisse.** Les poignées et surfaces de saisie glissantes ne permettent pas une manipulation sûre et une bonne maîtrise de l'outil dans les situations inattendues.
9. **Lors de l'utilisation de l'outil, ne portez pas de gants de travail en tissu qui risquent de s'enchevêtrer dans l'outil.** L'enchevêtrement de gants de travail en tissu dans les pièces en mouvement peut entraîner une blessure.

#### Utilisation et entretien des outils alimentés par batterie

1. **Pour recharger, utilisez uniquement le chargeur spécifié par le fabricant.** L'utilisation d'un chargeur conçu pour un type donné de bloc-piles comporte un risque d'incendie lorsqu'il est utilisé avec un autre type de bloc-piles.
2. **N'utilisez un outil électrique qu'avec le bloc-piles conçu spécifiquement pour cet outil.** Il y a un risque de blessure ou d'incendie si un autre bloc-piles est utilisé.
3. **Lorsque vous n'utilisez pas le bloc-piles, rangez-le à l'écart des objets métalliques tels que trombones, pièces de monnaie, clés, clous, vis ou autres petits objets métalliques qui risqueraient d'établir une connexion entre les bornes.** La mise en court-circuit des bornes de batterie peut causer des brûlures ou un incendie.
4. **Dans des conditions d'utilisation inadéquates de la batterie, il peut y avoir fuite d'électrolyte; évitez tout contact avec ce liquide. En cas de contact accidentel, rincez avec beaucoup d'eau. Si le liquide pénètre dans vos yeux, il faut aussi consulter un médecin.** L'électrolyte qui s'échappe de la batterie peut causer des irritations ou des brûlures.
5. **N'utilisez pas une batterie ou un outil s'il est endommagé ou modifié.** Les batteries endommagées ou modifiées peuvent avoir un comportement imprévisible dont peut résulter un incendie, une explosion ou un risque de blessure.
6. **N'exposez pas une batterie ou un outil au feu ou à une température excessive.** L'exposition au feu ou à une température supérieure à 130 °C peut entraîner une explosion.
7. **Suivez toutes les instructions de charge et ne chargez pas la batterie ou l'outil à l'extérieur de la plage de température spécifiée dans les instructions.** Charger de manière inadéquate ou à des températures hors de la plage spécifiée peut endommager la batterie et augmenter le risque d'incendie.

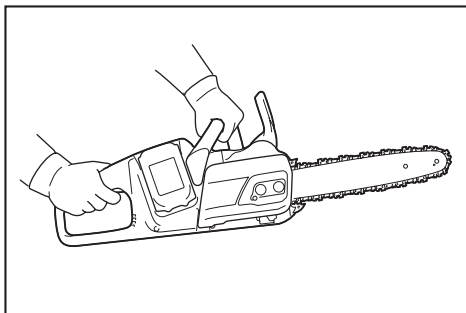
#### Réparation

1. **Faites réparer votre outil électrique par un réparateur qualifié qui utilise des pièces de rechange identiques aux pièces d'origine.** Le maintien de la sûreté de l'outil électrique sera ainsi assuré.
2. **N'essayez jamais de réparer les batteries endommagées.** La réparation des batteries ne doit être effectuée que par le fabricant ou par un fournisseur de service après-vente agréé.
3. **Suivez les instructions de lubrification et de remplacement des accessoires.**
4. **Ne modifiez pas ou n'essayez pas de réparer l'appareil ou la batterie autrement que tel qu'indiqué dans les instructions d'utilisation et d'entretien.**

#### Consignes de sécurité pour la tronçonneuse sans fil

1. **Lorsque le moteur de la tronçonneuse tourne, gardez toute partie du corps à l'écart de la chaîne. Avant de faire démarrer la tronçonneuse, assurez-vous que la chaîne n'entre en contact avec rien.** Lorsque vous utilisez la tronçonneuse, tout moment de distraction peut faire en sorte que vos vêtements ou votre corps soient happés par la chaîne.

2. **Tenez toujours la tronçonneuse en gardant votre main droite sur la poignée arrière et votre main gauche sur la poignée avant.** Si vous tenez la tronçonneuse en inversant la position de vos mains, vous augmenterez les risques de blessure. Ne le faites jamais.
3. **Tenez l'outil électrique par ses surfaces de prise isolées seulement, car la chaîne pourrait venir en contact avec un câblage dissimulé.** En cas de contact de la chaîne avec un conducteur sous tension, les pièces métalliques à découvert de l'outil pourraient devenir sous tension et transmettre une décharge électrique à l'utilisateur.
4. **Portez des lunettes de sécurité et un protecteur d'oreilles.** Il est recommandé d'utiliser d'autres dispositifs de protection pour la tête, les mains, les jambes et les pieds. Des vêtements de protection adéquats réduiront les risques de blessures provoquées par des débris projetés ou un contact accidentel avec la chaîne.
5. **Ne travaillez pas avec la tronçonneuse sur un arbre.** En cas d'utilisation de la tronçonneuse sur un arbre, il y a risque de blessure.
6. **Assurez-vous toujours d'avoir les pieds bien ancrés au sol et utilisez la tronçonneuse seulement lorsque vous vous trouvez sur une surface stable, sûre et plane.** Si vous vous trouvez sur une surface glissante ou instable, comme une échelle, vous risquez de perdre l'équilibre ou la maîtrise de la tronçonneuse.
7. **Lorsque vous coupez une branche tendue, attendez-vous à ce qu'elle revienne comme un ressort.** Quand la tension dans les fibres de bois se relâche, la branche sous tension peut frapper l'utilisateur et/ou lui faire perdre la maîtrise de la tronçonneuse.
8. **Soyez extrêmement prudent lors de la coupe de broussailles et de jeunes arbres.** Les branches fines peuvent être happées par la chaîne et vous frapper ou vous faire perdre l'équilibre.
9. **Transportez la tronçonneuse par la poignée avant, avec la tronçonneuse en état d'arrêt et à l'écart de votre corps.** Installez toujours le protecteur de guide-chaîne lorsque vous transportez ou rangez la tronçonneuse. En manipulant la tronçonneuse adéquatement, vous réduirez les risques de toucher par mégarde la chaîne en rotation.
10. **Suivez les instructions concernant la lubrification, le réglage de la tension de la chaîne et le remplacement des accessoires.** Une chaîne qui n'est pas adéquatement tendue ou graissée peut se briser ou augmenter le risque de contrecoup.
11. **Maintenez les poignées sèches, propres et exemptes d'huile ou de graisse.** Les poignées couvertes de graisse ou d'huile sont glissantes et entraînent une perte de maîtrise.
12. **Ne sciez que du bois.** Utilisez la tronçonneuse seulement pour les travaux pour lesquels elle est conçue. Par exemple, n'utilisez jamais la tronçonneuse pour scier des matériaux plastiques, de la maçonnerie ou des matériaux de construction qui ne sont pas en bois. L'utilisation de la tronçonneuse pour des travaux non conformes à l'usage prévu peut entraîner des situations dangereuses.
13. **Causes des contrecoups et mesures préventives à prendre par l'utilisateur :**  
 Un contrecoup peut se produire lorsque le bout ou la pointe du guide-chaîne touche un objet ou que le bois s'arque et que la chaîne se coince dans le tracé. Dans certains cas, un contact avec la pointe du guide-chaîne peut entraîner une réaction inattendue vers l'arrière, projetant le guide-chaîne vers le haut et l'arrière, dans la direction de l'utilisateur. Lorsque la chaîne se coince au niveau du bord supérieur du guide-chaîne, elle peut pousser le guide-chaîne tout à coup vers l'arrière en direction de l'utilisateur. Toutes ces réactions peuvent vous faire perdre la maîtrise de la tronçonneuse et entraîner des blessures graves. Ne vous fiez pas exclusivement aux dispositifs de sécurité incorporés dans la tronçonneuse. L'utilisateur de la tronçonneuse doit prendre diverses mesures pour s'assurer d'effectuer les tronçonnages sans risque d'accident ou de blessure.  
 Le contrecoup est le résultat d'une utilisation inadéquante de l'outil et/ou de procédures ou de conditions d'utilisation incorrectes ; on peut l'éviter en prenant les précautions adéquates indiquées ci-dessous.
  - **Tenez fermement la scie des deux mains, en encerclant les poignées de la tronçonneuse avec votre pouce et vos doigts, et placez votre corps et vos bras de manière à pouvoir résister à la force d'un contrecoup éventuel.** L'utilisateur est capable de maîtriser un contrecoup s'il a pris les précautions adéquates. Ne lâchez jamais la tronçonneuse.



- **Ne tendez pas trop les bras et évitez d'utiliser la scie en levant les bras au-dessus des épaules.** Ceci permet d'éviter un contact accidentel avec la pointe du guide-chaîne et assure une meilleure maîtrise de la tronçonneuse en cas de situations inattendues.
- **Utilisez toujours les guides et les chaînes de rechange indiqués par le fabricant.** Si vous utilisez de mauvais guides ou chaînes de rechange, vous risquez une rupture de la chaîne et/ou un contrecoup.
- **Suivez les instructions du fabricant concernant l'aiguillage et l'entretien de la chaîne.** Réduire la hauteur de la jauge de profondeur peut augmenter les risques de contrecoup.




14. **Avant de commencer le travail, assurez-vous que la tronçonneuse est en bon état de marche et qu'elle est conforme aux règlements de sécurité. Vérifiez tout particulièrement si :**
  - le frein de chaîne fonctionne adéquatement ;
  - le frein de ralentissement fonctionne adéquatement ;
  - le guide et le protecteur de pignon sont installés adéquatement ;
  - la chaîne a été affûtée et tendue conformément aux règlements.
15. **Ne mettez pas la tronçonneuse en marche sans enlever le couvre-chaîne.** Le couvre-chaîne pourrait être projeté vers l'avant et provoquer des blessures ou endommager les objets vous entourant si vous faites démarrer la tronçonneuse tandis que le couvre-chaîne est en place.
16. **Évitez les environnements dangereux. N'utilisez pas l'outil dans les endroits humides ou mouillés, et ne l'exposez pas à la pluie. L'infiltration d'eau dans l'outil accroît le risque de décharge électrique.**
17. **Ne jetez pas la/les batterie(s) au feu. L'élément pourrait exploser. Vérifiez la réglementation locale pour savoir s'il existe des directives particulières sur l'élimination.**
18. **N'ouvrez pas et n'endommagez pas la/les batterie(s). L'électrolyte qui s'échappe est corrosif et peut provoquer des dommages aux yeux ou à la peau. Il peut être toxique s'il est ingéré.**
19. **Ne chargez pas la batterie sous la pluie ou dans les emplacements humides.**

## CONSERVEZ CE MODE D'EMPLOI.

**⚠ MISE EN GARDE :** NE vous laissez PAS tromper (au fil d'une utilisation répétée) par un sentiment d'aisance ou de familiarité avec le produit en négligeant les consignes de sécurité qui accompagnent le produit. UNE UTILISATION INCORRECTE ou le non-respect des règles de sécurité énoncées dans le présent manuel d'instructions peut provoquer des blessures graves.

## Symboles

Les symboles utilisés pour l'outil sont indiqués ci-dessous.

V	volts
— — —	courant continu
ft/min	pieds par minute
	numéro de pièce de la chaîne et du guide-chaîne applicables

## Consignes de sécurité importantes pour la batterie

1. **Avant d'utiliser la batterie, lisez toutes les instructions et les mises en garde apposées sur (1) le chargeur de batterie, (2) la batterie et (3) le produit utilisant la batterie.**
2. **Ne démontez pas la batterie.**
3. **Cessez immédiatement l'utilisation si le temps de fonctionnement devient excessivement court. Il y a risque de surchauffe, de brûlures, voire d'explosion.**
4. **Si l'électrolyte pénètre dans vos yeux, rincez-les à l'eau claire et consultez immédiatement un médecin. Il y a risque de perte de la vue.**
5. **Ne court-circuitez pas la batterie :**
  - (1) **Ne touchez les bornes avec aucun matériau conducteur.**
  - (2) **Évitez de ranger la batterie dans un conteneur avec d'autres objets métalliques tels que clous, pièces de monnaie, etc.**
  - (3) **Évitez d'exposer la batterie à l'eau ou à la pluie.**

Un court-circuit de la batterie pourrait provoquer un fort courant, une surchauffe, parfois des brûlures et même une panne.
6. **Ne rangez pas l'outil ou la batterie dans des emplacements où la température peut atteindre ou dépasser 50 °C (122 °F).**
7. **Ne jetez pas la batterie au feu même si elle est sérieusement endommagée ou complètement épuisée. La batterie peut exploser au contact du feu.**
8. **Prenez garde d'échapper ou de heurter la batterie.**
9. **N'utilisez pas une batterie si elle est endommagée.**
10. **Les batteries lithium-ion fournies sont soumises aux exigences de la législation sur les marchandises dangereuses.**

Des exigences particulières sur l'emballage et l'étiquetage doivent être respectées lors du transport commercial par des tiers, des transitaires, etc. Pour préparer la marchandise à expédier, consultez un expert en matériaux dangereux si nécessaire. Respectez aussi les éventuelles réglementations nationales plus détaillées.

Recouvrez de ruban isolant les contacts exposés, et emballez la batterie de sorte qu'elle ne puisse pas se déplacer à l'intérieur de l'emballage.
11. **Lors de l'élimination de la batterie, retirez-la de l'outil et éliminez-la dans un endroit sûr. Respectez la réglementation locale concernant l'élimination de la batterie.**
12. **N'utilisez les batteries qu'avec les produits spécifiés par Makita.** Installer les batteries sur des produits non conformes peut entraîner un incendie, une chaleur excessive, une explosion ou une fuite d'électrolyte.
13. **Si l'outil reste inutilisé pour une période prolongée, la batterie doit en être retirée.**

## CONSERVEZ CES INSTRUCTIONS.

**ATTENTION** : Utilisez exclusivement les batteries fabriquées par Makita. Les batteries autres que celles fabriquées par Makita ou les batteries modifiées peuvent exploser et causer un incendie, une blessure ou des dommages. Cela annule aussi la garantie Makita de l'outil et du chargeur Makita.

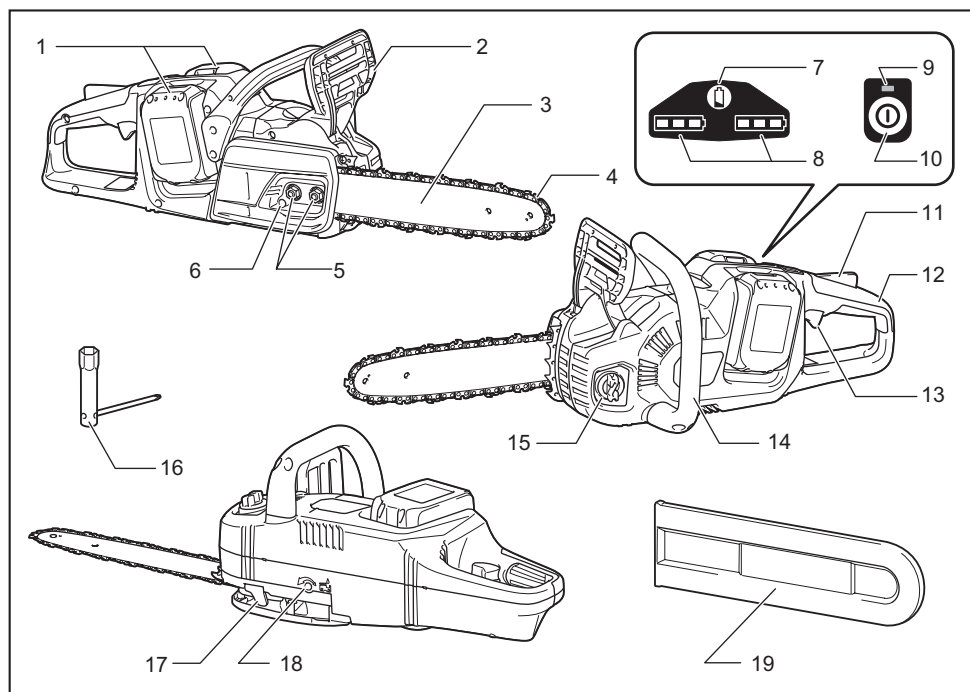
## Conseils pour maintenir la durée de service maximale de la batterie

1. Rechargez la batterie avant qu'elle ne soit complètement déchargée. Arrêtez toujours

l'outil et rechargez la batterie quand vous remarquez que la puissance de l'outil diminue.

2. Ne rechargez jamais une batterie complètement chargée. La surcharge réduit la durée de service de la batterie.
3. Chargez la batterie à une température ambiante comprise entre 10 °C et 40 °C (50 °F et 104 °F). Si la batterie est chaude, laissez-la refroidir avant de la charger.
4. Chargez la batterie si elle est restée inutilisée pendant une période prolongée (plus de six mois).

## DESCRIPTION DES PIÈCES



1	Batterie	2	Protecteur de la main avant	3	Guide-chaîne
4	Chaîne	5	Écrou de retenue	6	Vis de réglage de la chaîne
7	Bouton de vérification	8	Indicateur de charge restante	9	Témoin d'alimentation secteur
10	Interrupteur d'alimentation secteur	11	Levier de sécurité	12	Poignée arrière
13	Gâchette	14	Poignée avant	15	Bouchon du réservoir d'huile
16	Clé polygonale	17	Attrape-chaîne	18	Vis de réglage (pour pompe à huile)
19	Protecteur de guide-chaîne	-	-	-	-

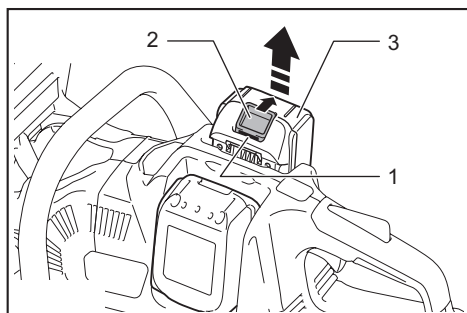
# DESCRIPTION DU FONCTIONNEMENT

**⚠ ATTENTION :** Assurez-vous toujours que l'outil est éteint et que sa batterie est retirée avant de l'ajuster ou de vérifier son fonctionnement.

## Installation ou retrait de la batterie

**⚠ ATTENTION :** Éteignez toujours l'outil avant d'installer ou de retirer la batterie.

**⚠ ATTENTION :** Tenez fermement l'outil et la batterie lors de l'installation ou du retrait de cette dernière. Si l'outil et la batterie ne sont pas tenus fermement, ils risquent de vous glisser des mains et de subir des dommages, ou encore de vous blesser.



► 1. Voyant rouge 2. Bouton 3. Batterie

Pour retirer la batterie, faites-la glisser hors de l'outil tout en glissant le bouton qui se trouve à l'avant.

Pour installer la batterie, alignez sa languette sur la rainure pratiquée dans le boîtier, et glissez la batterie en place. Insérez-la à fond jusqu'à ce que vous entendiez un léger dé clic. Si vous pouvez voir le voyant rouge sur le dessus du bouton, la batterie n'est pas complètement verrouillée.

**⚠ ATTENTION :** Installez toujours la batterie à fond jusqu'à ce que vous ne puissiez plus voir le voyant rouge. Autrement elle risque de tomber accidentellement de l'outil et d'entraîner des blessures.

**⚠ ATTENTION :** Ne forcez pas sur la batterie pour l'installer. Si la batterie ne glisse pas facilement, c'est qu'elle n'est pas insérée correctement.

**NOTE :** L'outil ne fonctionne pas lorsqu'une seule batterie est en place.

**NOTE :** Soyez attentif à la position de vos doigts lorsque vous mettez en place la batterie. Autrement vous risquez d'enfoncer le bouton par inadvertance.

## Dispositif de protection de l'outil et de la batterie

L'outil est doté d'un dispositif de protection de l'outil et de la batterie. Ce dispositif coupe automatiquement l'alimentation du moteur pour augmenter la durée de service de l'outil et de la batterie. L'outil s'arrête automatiquement pendant l'utilisation lorsque l'outil ou la batterie est dans l'une des situations suivantes. Dans certaines situations, les voyants s'allument.

### Protection contre la surcharge

Lorsque l'outil est utilisé d'une façon qui lui fait consommer un courant anormalement élevé, il s'arrête automatiquement et le témoin d'alimentation secteur se met à clignoter. Dans cette situation, éteignez l'outil et arrêtez l'application qui a causé la surcharge de l'outil. Rallumez ensuite l'outil pour recommencer.

### Protection contre la surchauffe

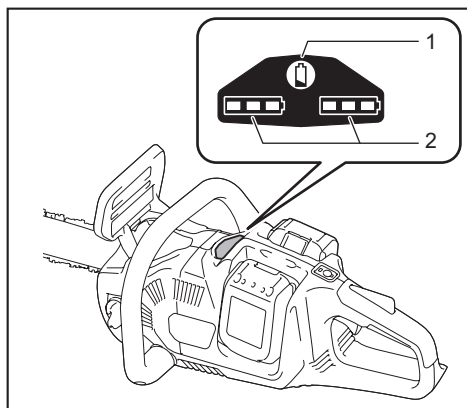
Lorsque l'outil surchauffe, il s'arrête automatiquement et le témoin indicateur de charge restante clignote tel qu'illustré. Dans cette situation, laissez refroidir l'outil avant de l'allumer de nouveau.

État de l'indicateur de charge restante			État
Allumé	Éteint	Clignotant	
			Surchauffé.

### Protection contre la décharge excessive

Lorsque la charge de la batterie est basse, l'outil s'arrête automatiquement. Si l'appareil ne fonctionne pas même lorsque vous activez les interrupteurs, retirez les batteries de l'outil et rechargez-les.

## Indication de la charge restante de la batterie



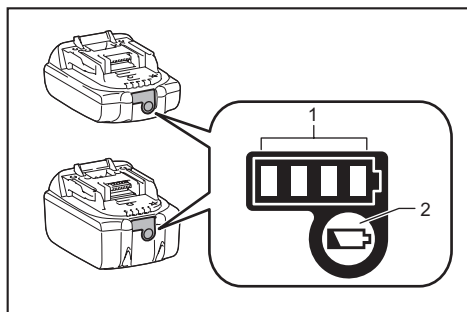
► 1. Bouton de vérification 2. Indicateur de charge restante

La charge restante de la batterie s'affiche pendant que vous appuyez sur le bouton de vérification. Les indicateurs de charge restante correspondent à chacune des batteries.

État de l'indicateur de charge restante			Capacité restante de la batterie
Allumé	Éteint	Clignotant	
			50 % à 100 %
			20 % à 50 %
			0 % à 20 %
			Charger la batterie

## Affichage de la charge restante de la batterie

Uniquement pour les batteries avec voyant



► 1. Témoins indicateurs 2. Bouton de vérification

Appuyez sur le bouton de vérification de la batterie pour afficher la charge restante de la batterie. Les témoins indicateurs s'allument pendant quelques secondes.

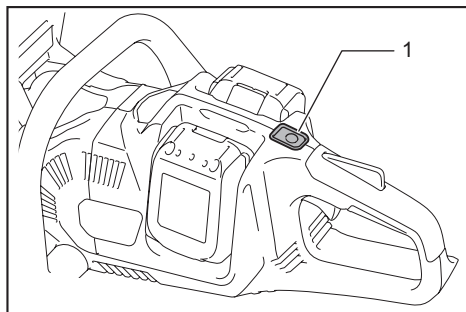
Témoins indicateurs			Charge restante
Allumé	Éteint	Clignotant	
			75 % à 100 %
			50 % à 75 %
			25 % à 50 %
			0 % à 25 %
			Chargez la batterie.
			La batterie a peut-être mal fonctionné.

**NOTE :** Suivant les conditions d'utilisation et la température ambiante, il se peut que l'indication soit légèrement différente de la charge réelle.

## Interrupteur d'alimentation secteur

**⚠ MISE EN GARDE :** Mettez toujours l'interrupteur d'alimentation secteur en position d'arrêt lorsque vous n'utilisez pas l'outil.

Pour mettre la tronçonneuse en attente, appuyez sur l'interrupteur d'alimentation secteur jusqu'à ce que le témoin d'alimentation secteur s'allume. Pour couper le contact, appuyez de nouveau sur l'interrupteur d'alimentation secteur.



► 1. Interrupteur d'alimentation secteur

**NOTE** : Le témoin d'alimentation secteur clignote si vous appuyez sur la gâchette dans des conditions où l'outil n'est pas utilisable. Le témoin clignote si vous

- mettez l'interrupteur d'alimentation secteur en position de marche tout en maintenant le levier de sécurité abaissé et en appuyant sur la gâchette ;
- appuyez sur la gâchette pendant que le frein de chaîne est activé ;
- libérez le frein de chaîne tout en maintenant le levier de sécurité abaissé et en appuyant sur la gâchette.

**NOTE** : Cet outil utilise une fonction de mise hors tension automatique. Pour éviter le démarrage accidentel, l'interrupteur d'alimentation secteur se met automatiquement en position d'arrêt au bout d'un certain temps si vous n'appuyez pas sur la gâchette après avoir mis l'interrupteur d'alimentation secteur en position de marche.

## Interrupteur

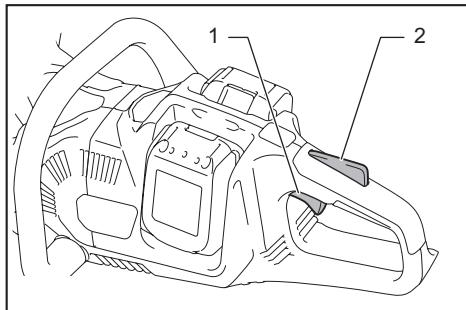
**▲MISE EN GARDE** : Pour votre sécurité, cet outil est équipé d'un levier de sécurité qui prévient le démarrage accidentel de l'outil. N'utilisez JAMAIS l'outil s'il s'active lorsque vous appuyez simplement sur la gâchette sans enfoncer le levier de sécurité. AVANT de le réutiliser, renvoyez l'outil à notre centre de service après-vente agréé pour faire effectuer les réparations adéquates.

**▲MISE EN GARDE** : Le levier de sécurité ne doit JAMAIS être immobilisé avec du ruban adhésif, ni modifié.

**▲ATTENTION** : Avant d'insérer la batterie dans l'outil, vérifiez toujours que la gâchette fonctionne bien et revient en position d'arrêt lorsque libérée.

**AVIS** : N'appuyez pas fortement sur la gâchette avant d'avoir enfoncé le levier de sécurité. Vous risqueriez de casser la gâchette.

L'outil est doté d'un levier de sécurité pour éviter l'activation accidentelle de la gâchette. Pour faire démarrer l'outil, enfoncez le levier de sécurité et appuyez sur la gâchette. La vitesse de l'outil augmente à mesure que l'on accroît la pression sur la gâchette. Pour l'arrêter, libérez la gâchette.



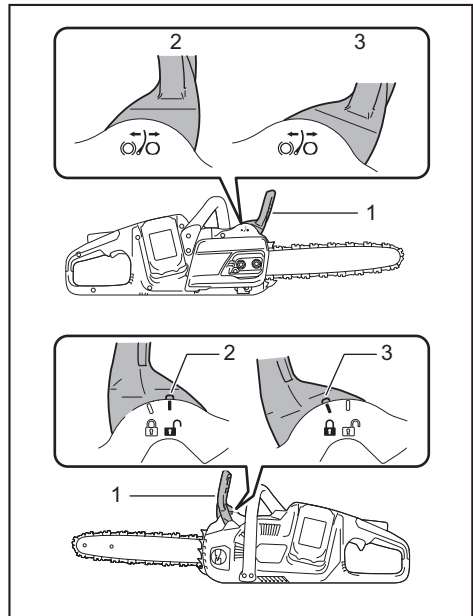
► 1. Gâchette 2. Levier de sécurité

## Vérification du frein de chaîne

**▲ATTENTION** : Tenez la tronçonneuse des deux mains lorsque vous la mettez en marche. Tenez la poignée arrière de votre main droite, et la poignée avant de votre main gauche. Le guide-chaîne et la chaîne ne doivent toucher à aucun objet.

**▲ATTENTION** : Si la chaîne ne s'arrête pas immédiatement lorsque vous réalisez ce test, vous ne devez utiliser la scie en aucun cas. Consultez notre centre de service après-vente agréé.

1. Enfoncez le levier de sécurité, puis appuyez sur la gâchette. La tronçonneuse démarre immédiatement.
2. Poussez vers l'avant le protecteur de la main avant avec le dos de votre main. Assurez-vous que la tronçonneuse s'immobilise immédiatement.



► 1. Protecteur de la main avant 2. Position déverrouillée 3. Position verrouillée

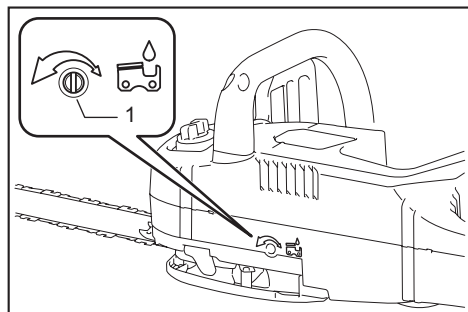
## Vérification du frein de ralentissement

**▲ATTENTION** : Si la chaîne ne s'arrête pas en une seconde lorsque vous réalisez ce test, cessez d'utiliser la tronçonneuse et consultez notre centre de service après-vente agréé.

Faites tourner la tronçonneuse puis relâchez complètement la gâchette. La chaîne doit s'immobiliser en une seconde.

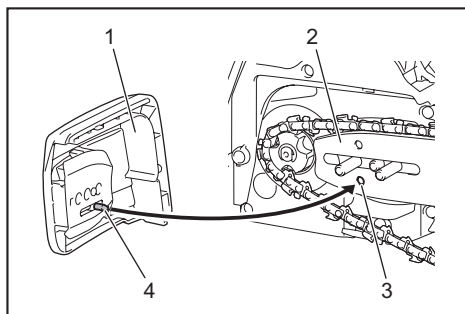
## Réglage de la lubrification de la chaîne

Une vis de réglage vous permet de régler le débit de la pompe à huile. Il est possible de régler la quantité d'huile à l'aide de la clé universelle.



► 1. Vis de réglage

4. Placez le protecteur de pignon sur la tronçonneuse de manière à ce que la tige de réglage se trouve dans un petit orifice du guide-chaîne.



► 1. Protecteur de pignon 2. Guide-chaîne 3. Orifice 4. Tige de réglage

5. Serrez les écrous de retenue pour fixer le protecteur de pignon, puis desserrez-les un peu pour régler la tension.

(Consultez le chapitre « Réglage de la tension de la chaîne » pour connaître la procédure.)



► 1. Écrou de retenue

## ASSEMBLAGE

**⚠ ATTENTION :** Assurez-vous toujours que l'outil est éteint et que sa batterie est retirée avant d'effectuer tout travail dessus.

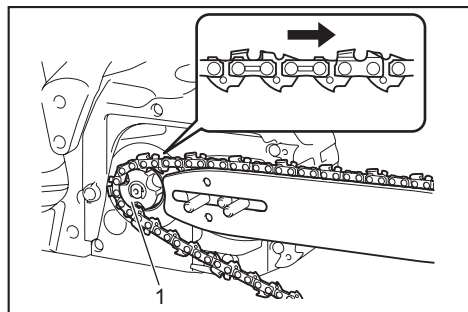
**⚠ ATTENTION :** Ne touchez pas la chaîne à mains nues. Portez toujours des gants pour manipuler la chaîne.

## Retrait ou installation de la chaîne

**⚠ ATTENTION :** La chaîne et le guide-chaîne sont encore chauds juste après utilisation. Laissez-les refroidir suffisamment avant d'effectuer toute opération sur l'outil.

Pour installer la chaîne, effectuez les étapes suivantes :

1. Vérifiez le sens de la chaîne. La flèche indiquée sur la chaîne correspond à son sens.
2. Installez une des extrémités de la chaîne sur le dessus du guide-chaîne et l'autre extrémité autour du pignon.

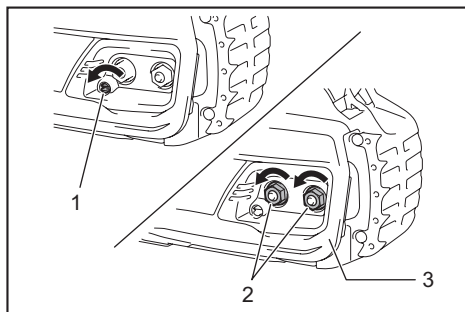


► 1. Pignon

3. Mettez le guide-chaîne en place sur la tronçonneuse.

Pour retirer la chaîne, procédez comme suit :

1. Libérez le frein de chaîne en tirant sur le protecteur de la main avant.
2. Desserrez la vis de réglage de la chaîne, puis les écrous de retenue.



► 1. Vis de réglage de la chaîne 2. Écrou de retenue 3. Protecteur de pignon

3. Retirez le protecteur de pignon, puis retirez la chaîne et le guide-chaîne de la tronçonneuse.

## Réglage de la tension de la chaîne

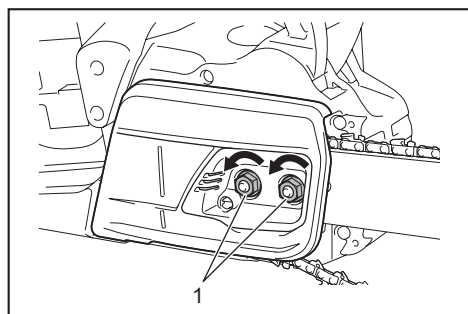
**⚠ ATTENTION :** Effectuez la procédure d'installation ou de retrait de la chaîne dans un endroit propre sans sciure de bois ou autre.

**⚠ ATTENTION :** Ne serrez pas excessivement la chaîne. Si la chaîne est excessivement tendue, elle risque de se rompre et d'user le guide-chaîne.

**⚠ ATTENTION :** Une chaîne trop lâche peut sauter hors du guide et causer une blessure.

Il se peut que la chaîne se desserre après plusieurs heures d'utilisation. De temps à autre, vérifiez la tension de la chaîne avant l'utilisation.

1. Libérez le frein de chaîne en tirant sur le protecteur de la main avant.
2. Desserrez un peu les écrous de retenue pour desserrer légèrement le protecteur de pignon.

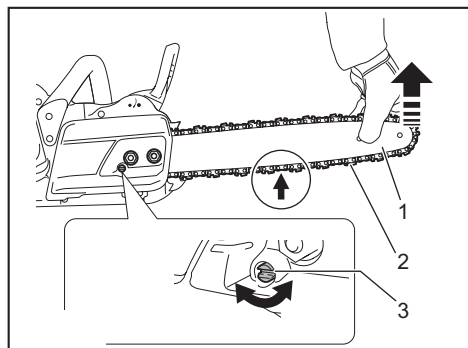


► 1. Écrou de retenue

3. Soulevez légèrement la pointe du guide-chaîne et ajustez la tension de la chaîne. Tournez la vis de réglage de la chaîne dans le sens des aiguilles d'une montre pour serrer, et en sens contraire pour desserrer.

### Pour les lames de chaîne 90PX et 91PX :

Serrez la chaîne jusqu'à ce que le côté inférieur de la chaîne rentre dans le rail de guide-chaîne tel qu'illustré.

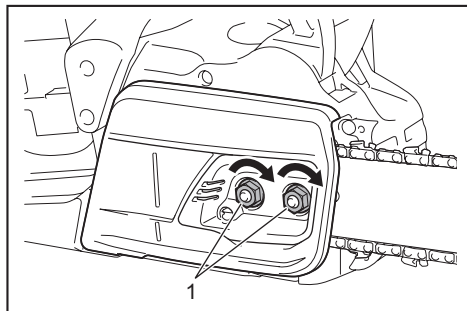


► 1. Guide-chaîne 2. Chaîne 3. Vis de réglage de la chaîne

### Pour la lame de chaîne 25AP :

Serrez la chaîne jusqu'à ce que l'espace libre entre le centre du côté inférieur du guide-chaîne et la chaîne soit d'environ 1 mm à 2 mm.

4. Continuez de tenir légèrement le guide-chaîne et serrez les écrous de retenue pour fixer le protecteur de pignon.



► 1. Écrou de retenue

### Pour les lames de chaîne 90PX et 91PX :

Assurez-vous que la chaîne ne se détend pas du côté inférieur.

Assurez-vous que la chaîne est parfaitement ajustée sur la partie inférieure du guide.

### Pour la lame de chaîne 25AP :

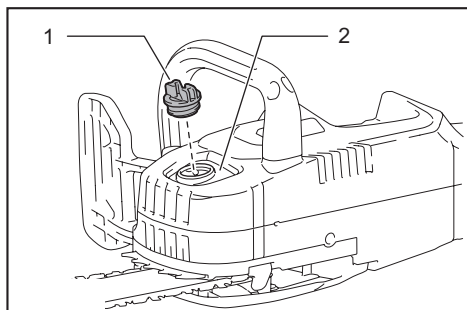
Assurez-vous que l'espace libre entre le centre du côté inférieur du guide-chaîne et la chaîne est d'environ 1 mm à 2 mm.

## UTILISATION

### Lubrification

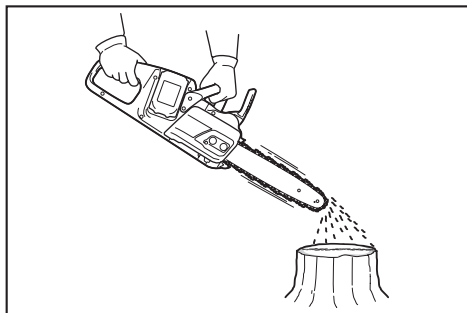
La lubrification de la chaîne s'effectue automatiquement lorsque la tronçonneuse est en marche. Vérifiez régulièrement la quantité d'huile restante dans le réservoir d'huile.

Pour remplir le réservoir, mettez la tronçonneuse sur le côté et retirez le bouchon du réservoir d'huile. La quantité adéquate d'huile est de 200 ml. Après avoir rempli le réservoir, assurez-vous que le bouchon du réservoir d'huile est bien serré.



► 1. Bouchon du réservoir d'huile 2. Réservoir d'huile (translucide)

Après le remplissage, gardez la tronçonneuse à l'écart de l'arbre. Faites-la démarrer et attendez que la chaîne soit adéquatement lubrifiée.



**AVIS :** La première fois que vous faites le plein d'huile ou si vous faites le plein d'huile une fois le réservoir complètement vide, versez de l'huile jusqu'au bord inférieur du goulot de remplissage. Autrement l'alimentation en huile risque d'être insuffisante.

**AVIS :** Utilisez l'huile à chaîne destinée exclusivement aux tronçonneuses Makita ou une autre huile équivalente disponible dans le commerce.

**AVIS :** N'utilisez jamais de l'huile contaminée par la poussière ou des particules, ni de l'huile volatile.

**AVIS :** Utilisez de l'huile d'origine végétale pour l'élagage des arbres. Les huiles d'origine minérale peuvent nuire aux arbres.

**AVIS :** Avant d'effectuer la coupe, assurez-vous que le bouchon du réservoir d'huile fourni est vissé en place.

## UTILISATION DE LA TRONÇONNEUSE

**⚠ ATTENTION :** Les personnes qui utilisent cet outil pour la première fois devraient, au minimum, s'exercer à couper des rondins sur un chevalet de menuisier ou sur un berceau de sciage.

**⚠ ATTENTION :** Lors de la coupe d'un arbre prédécoupé, utilisez un support sûr (chevalet de menuisier ou berceau de sciage). Ne maintenez pas la pièce de bois avec le pied et ne laissez personne la tenir ou la stabiliser.

**⚠ ATTENTION :** Fixez les pièces rondes pour ne pas qu'elles tournent.

**⚠ ATTENTION :** Lorsque le moteur tourne, gardez toute partie du corps à l'écart de la chaîne.

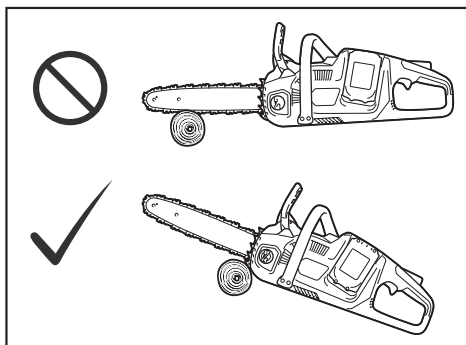
**⚠ ATTENTION :** Tenez fermement la tronçonneuse à deux mains pendant que le moteur tourne.

**⚠ ATTENTION :** Ne tendez pas trop les bras. Assurez-vous d'une bonne prise au sol et d'une bonne position d'équilibre en tout temps.

**AVIS :** Ne lancez jamais l'outil et ne le laissez jamais tomber.

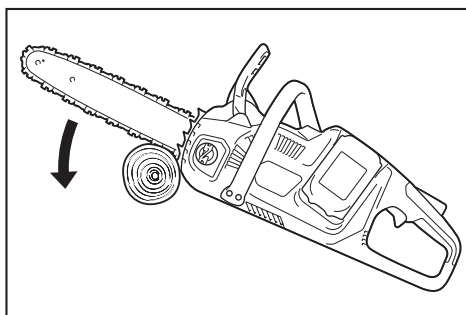
**AVIS :** Ne couvrez pas les événements de l'outil.

Mettez le bord inférieur de la tronçonneuse en contact avec la branche à couper avant de mettre la tronçonneuse en marche. Sinon le guide-chaîne pourrait osciller, ce qui risque de blesser l'utilisateur. Sciez la pièce de bois en laissant simplement la tronçonneuse se déplacer vers le bas sous l'effet de son propre poids.



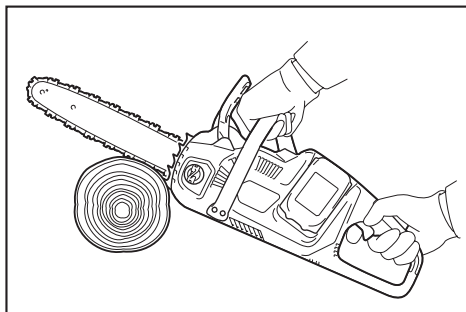
S'il n'est pas possible de couper le billot en une seule passe :

Appliquez une légère pression sur la poignée et continuez à scier en ramenant légèrement la tronçonneuse vers l'arrière ; posez ensuite la griffe d'abattage un peu plus bas et finissez la coupe en soulevant la poignée.



## Tronçonnage

1. Faites reposer le bord inférieur de la tronçonneuse contre la pièce de bois à couper.



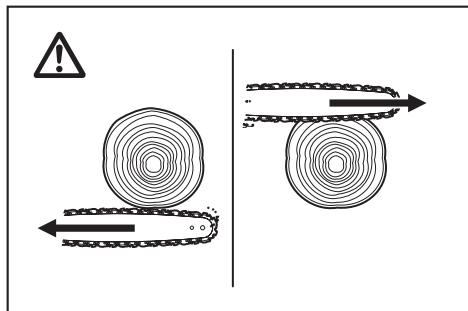
2. Alors que la chaîne tourne, sciez la pièce de bois en utilisant la poignée arrière pour soulever la tronçonneuse et la poignée avant pour la guider. Utilisez la griffe d'abattage en guise de pivot.



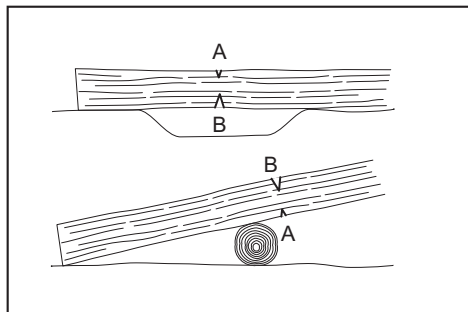
3. Poursuivez la coupe en appliquant une légère pression sur la poignée avant et en retirant légèrement la tronçonneuse à l'arrière. Déplacez la griffe d'abattage plus bas sur le billot et soulevez à nouveau la poignée avant.

**AVIS :** Lorsque vous effectuez plusieurs coupes, mettez la tronçonneuse hors tension entre chacune d'elles.

**ATTENTION :** Si le bord supérieur du guide-chaîne est utilisé pour la coupe, la tronçonneuse risque de rebondir dans votre direction si la chaîne se coince. C'est pourquoi vous devez couper avec le bord inférieur, de sorte que la tronçonneuse rebondisse en s'éloignant de votre corps.



Lorsque vous coupez une pièce de bois sous tension, coupez d'abord par le côté soumis à une pression (A). Passez ensuite à la coupe finale du côté soumis à une tension (B). Cette mesure évitera que le guide-chaîne ne se coince.



## Ébranchage

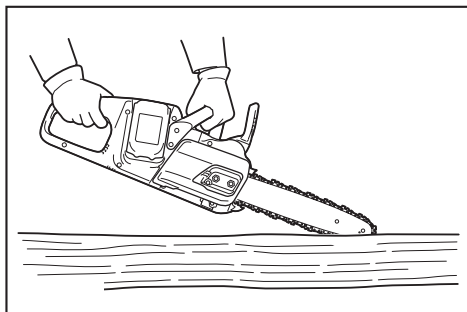
**ATTENTION :** L'ébranchage doit être exécuté seulement par des personnes ayant reçu une formation. Les risques de contrecoup constituent un danger.

Pour l'ébranchage, appuyez la tronçonneuse contre le tronc si possible. Ne coupez pas avec le bout du guide-chaîne, car il y a un risque de contrecoup. Prêtez une attention particulière aux branches soulevées à une tension. Ne coupez pas par le dessous les branches sans soutien. Ne montez pas sur le tronc abattu pour l'ébrancher.

## Évidage et coupes dans le sens du grain

**ATTENTION :** Les évidages et les coupes dans le sens du grain doivent être seulement exécutés par des personnes ayant reçu une formation. Il y a un risque de contrecoup et de blessure.

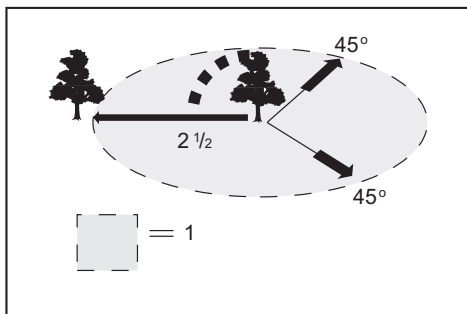
Réalisez les coupes dans le sens du grain avec l'angle le plus faible possible. Soyez extrêmement prudent pendant la coupe, car la griffe d'abattage ne peut être utilisée.



## Abattage

**ATTENTION :** Le travail d'abattage doit être exécuté seulement par des personnes ayant reçu une formation. Il s'agit d'un travail dangereux.

Si vous désirez abattre un arbre, conformez-vous aux réglementations locales.

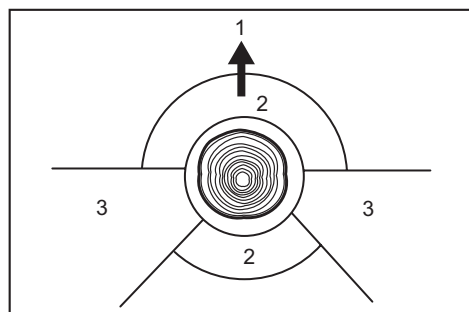
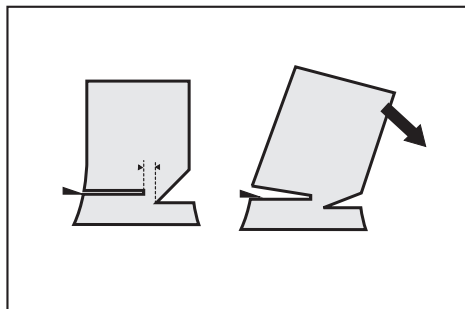


► 1. Zone d'abattage

- Avant d'abattre l'arbre, assurez-vous que :
  - Seules les personnes participant à l'abattage se trouvent à proximité ;
  - Toute personne impliquée dans le travail d'abattage doit s'assurer d'une voie de retraite sans entrave sur une plage d'environ 45° chaque côté de l'axe d'abattage de l'arbre. Tenez également compte du risque de trébucher sur des câbles électriques ;
  - La base du tronc doit être exempte de corps étrangers, de racines et de branches ;
  - Il ne doit y avoir aucune personne ni aucun objet sur une distance égale à 2,5 fois la longueur de l'arbre dans le sens où sa chute est prévue.

- Pour chaque arbre, tenez compte des éléments suivants :
  - le sens vers lequel il penche ;
  - la présence de branches détachées ou sèches ;
  - la hauteur de l'arbre ;
  - la présence d'un surplomb naturel ;
  - si l'arbre est pourri ou non.
- Tenez compte de la vitesse et de la direction du vent. N'effectuez pas de travaux d'abattage si le vent souffle en fortes rafales.
- Taille des renflements des racines : Commencez par les plus gros renflements. Procédez d'abord à la coupe verticale, puis à la coupe horizontale.
- Tenez-vous à côté de l'arbre à abattre. Assurez-vous qu'il y ait une aire bien dégagée derrière l'arbre, sur une plage de 45° de chaque côté de l'axe de l'arbre (reportez-vous à la figure « zone d'abattage »). Prenez garde aux chutes de branche.
- Une voie de retraite doit être prévue et dégagée au besoin avant que la coupe ne soit entreprise. Cette voie de retraite doit s'étendre à l'arrière et en diagonale vers l'arrière de la ligne de chute prévue, tel qu'illustré sur la figure.

2. Pratiquez le trait d'abattage un peu plus haut que la semelle de l'entaille. Le trait d'abattage doit être parfaitement horizontal. Laissez environ 1/10 du diamètre du tronc entre le trait d'abattage et l'entaille. Les fibres de la partie non coupée remplissent un rôle de charnière. Insérez des chevilles dans le trait d'abattage au moment opportun.



- 1. Sens d'abattage 2. Zone de danger 3. Voie de retraite

**⚠ MISE EN GARDE : Ne coupez ces fibres dans aucune circonstance. L'arbre tomberait en chute libre.**

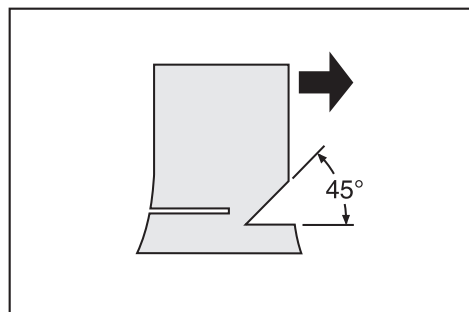
**AVIS : Pour maintenir le trait d'abattage ouvert, utilisez exclusivement des chevilles en plastique ou en aluminium. Il ne faut pas utiliser de chevilles en fer.**

## Transport de l'outil

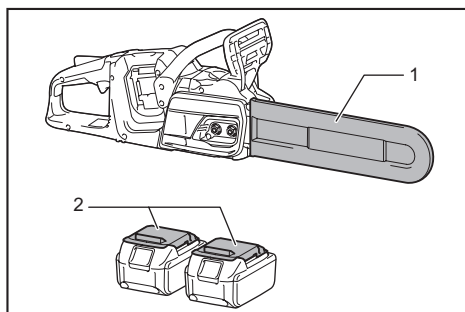
Avant de transporter l'outil, engagez toujours le frein de chaîne et retirez les batteries de l'outil. Fixez ensuite le protecteur de guide-chaîne. Recouvrez également la batterie avec le couvre-batterie.

Lorsque vous abattez des arbres, suivez la procédure ci-dessous :

1. Pratiquez une entaille le plus près possible du sol. Coupez d'abord à l'horizontale sur une profondeur allant du 1/5 au 1/3 du diamètre du tronc. L'entaille ne doit pas être trop large. Passez ensuite à la coupe en diagonale.



**NOTE :** L'entaille détermine le sens dans lequel l'arbre tombera et elle l'entraîne dans ce sens. Elle se trouve du côté vers lequel l'arbre doit tomber.



- 1. Protecteur de guide-chaîne 2. Couvre-batterie

# ENTRETIEN

**⚠ ATTENTION : Assurez-vous toujours que l'outil est hors tension et que la batterie est retirée avant d'y effectuer tout travail d'inspection ou d'entretien.**

**⚠ ATTENTION : Portez toujours des gants pour effectuer tout travail d'inspection ou d'entretien.**

**AVIS : N'utilisez jamais d'essence, de benzine, de solvant, d'alcool ou autres produits similaires. Une décoloration, une déformation ou la formation de fissures peuvent en découler.**

Pour maintenir la SÉCURITÉ et la FIABILITÉ du produit, les réparations et tout autre travail d'entretien ou de réglage doivent être effectués dans un centre de service après-vente autorisé ou une usine Makita, exclusivement avec des pièces de rechange Makita.

## Affûtage de la chaîne

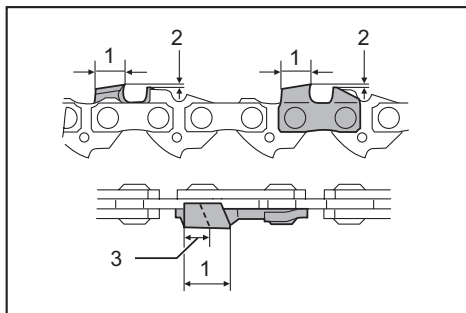
**Affûtez la chaîne lorsque :**

- La sciure de bois farineuse est produite lors de la coupe du bois humide ;
- La chaîne pénètre avec difficulté dans le bois, même si vous appliquez une forte pression ;
- Le bord coupant est de toute évidence endommagé ;
- La tronçonneuse tire vers la gauche ou la droite dans le bois. (Cela est dû à un mauvais affûtage de la chaîne ou au fait qu'elle est endommagée d'un côté seulement.)

Affûtez la chaîne souvent, mais juste un peu chaque fois. Pour un affûtage de routine, deux ou trois passes avec une lime suffisent généralement. Après plusieurs affûtages de la chaîne, faites-la affûter par notre centre de service après-vente agréé.

**Critère d'affûtage :**

**⚠ MISE EN GARDE : Une distance excessive entre le bord coupant et la jauge de profondeur augmente le risque de contrecoup.**

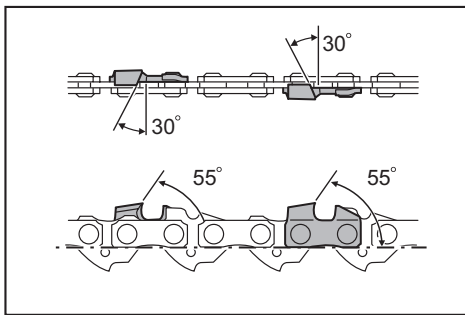


- **1.** Longueur d'arête **2.** Distance entre le bord coupant et la jauge de profondeur **3.** Longueur d'arête minimale (3 mm (1/8"))

- La longueur d'arête doit être uniforme. Les arêtes de différente longueur empêchent la chaîne de

tourner sans à-coups et peuvent entraîner le bris de la chaîne.

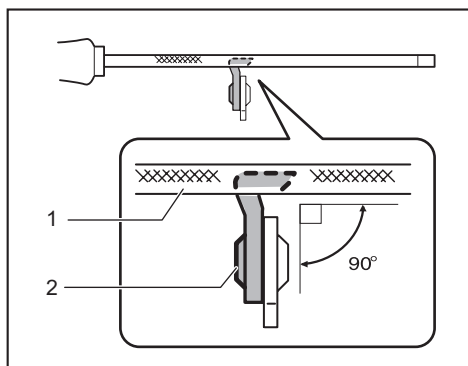
- N'affûtez pas la chaîne lorsque la longueur d'arête n'est plus que de 3 mm (1/8") ou moins. La chaîne doit être remplacée par une neuve.
- La profondeur de coupe est déterminée par la distance entre la jauge de profondeur (le nez rond) et le bord coupant.
- Les meilleurs résultats de coupe sont obtenus avec la distance suivante entre le bord coupant et la jauge de profondeur.
  - Lame de tronçonneuse 90PX : 0,65 mm (0,025")
  - Lame de tronçonneuse 91PX : 0,65 mm (0,025")
  - Lame de tronçonneuse 25AP : 0,65 mm (0,025")



- L'angle d'affûtage de 30° doit être le même sur toutes les arêtes. Les angles d'arête différents rendent le fonctionnement de la tronçonneuse grossier et inégal, accélèrent l'usure et entraînent des bris de chaîne.
- Utilisez une lime ronde adéquate, de manière à maintenir un angle d'affûtage adéquat sur les dents.
  - Lame de tronçonneuse 90PX : 55°
  - Lame de tronçonneuse 91PX : 55°
  - Lame de tronçonneuse 25AP : 55°

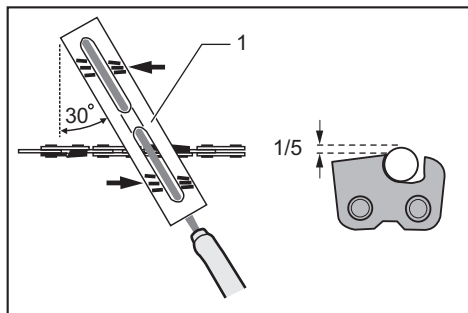
**Lime et guidage de la lime**

- Pour affûter la chaîne, utilisez une lime ronde conçue spécialement pour les chaînes de tronçonneuse (accessoire en option). Il est préférable de ne pas utiliser une lime ronde ordinaire.
- Les diamètres de lime ronde pour chaque chaîne sont les suivants :
  - Lame de tronçonneuse 90PX : 4,5 mm (3/16")
  - Lame de tronçonneuse 91PX : 4,0 mm (5/32")
  - Lame de tronçonneuse 25AP : 4,0 mm (5/32")
- La lime ne doit pénétrer l'arête que dans son mouvement vers l'avant. Soulevez la lime pour qu'elle ne touche pas l'arête dans son mouvement de retour.
- Affûtez d'abord la plus courte arête. La longueur de cette arête la plus courte devient la norme pour toutes les autres arêtes de la chaîne.
- Guidez la lime de la façon indiquée sur la figure.



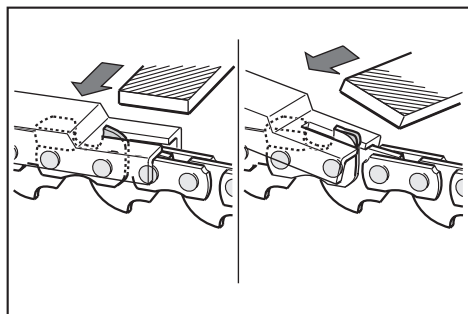
► 1. Lime 2. Chaîne

- Il sera plus facile de guider la lime si vous utilisez le porte-lime (accessoire en option). Le porte-lime porte des indications pour le réglage correct de l'angle d'affûtage sur  $30^\circ$  (alignez les indications parallèlement à la chaîne), et il limite la profondeur de pénétration (jusqu'à  $\frac{4}{5}$  du diamètre de la lime).



► 1. Porte-lime

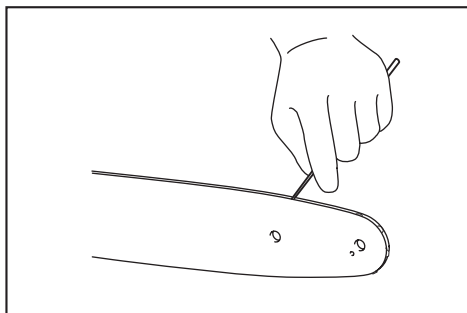
- Après l'affûtage de la chaîne, vérifiez la hauteur de la jauge de profondeur au moyen de l'outil jauge de chaîne (accessoire en option).



- Retirez toutes les parties saillantes, même les petites, au moyen d'une lime plate spéciale (accessoire en option).
- Arrondissez à nouveau la partie avant de la jauge de profondeur.

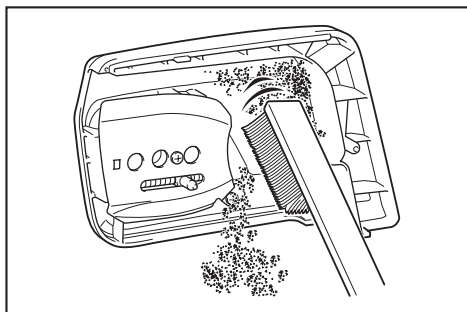
## Nettoyage du guide-chaîne

Les copeaux et la sciure de bois s'accumulent dans la rainure du guide-chaîne. Ils peuvent boucher la rainure du guide et empêcher l'huile de circuler. Enlevez les copeaux et la sciure de bois chaque fois que vous affûtez ou remplacez la chaîne.



## Nettoyage du protecteur de pignon

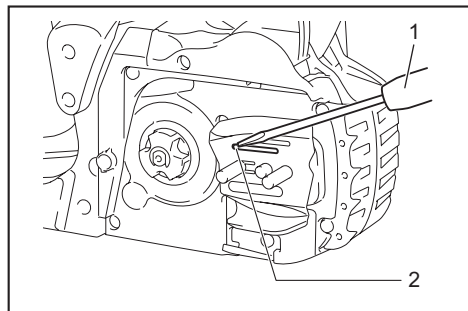
Les copeaux et la sciure de bois s'accumulent à l'intérieur du protecteur de pignon. Retirez le protecteur du pignon et la chaîne de l'outil, puis enlevez les copeaux et la sciure de bois.



## Nettoyage de l'orifice de vidange d'huile

De fines poussières ou des particules peuvent s'accumuler dans l'orifice de vidange d'huile pendant l'utilisation. Ces poussières ou particules peuvent ralentir le débit d'huile et causer une lubrification insuffisante sur l'ensemble de la chaîne. Lorsque l'alimentation en huile ne s'effectue pas correctement sur la partie supérieure du guide-chaîne, nettoyez l'orifice de vidange d'huile en procédant comme suit.

1. Retirez le protecteur de pignon et la chaîne de l'outil.
2. Enlevez les fines poussières ou les particules à l'aide d'un tournevis plat ou d'un objet similaire.



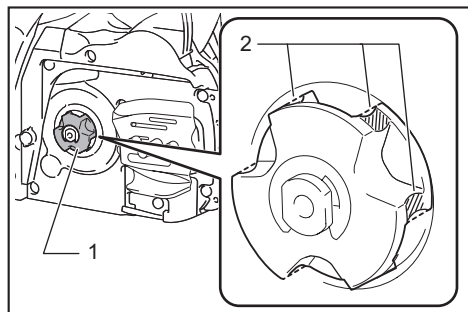
► 1. Tournevis plat 2. Orifice de vidange d'huile

3. Insérez la batterie dans l'outil. Appuyez sur la gâchette pour faire une vidange d'huile et faire sortir les poussières et particules accumulées dans l'orifice de vidange d'huile.
4. Retirez la batterie de l'outil. Remettez en place le protecteur de pignon et la chaîne sur l'outil.

## Remplacement du pignon

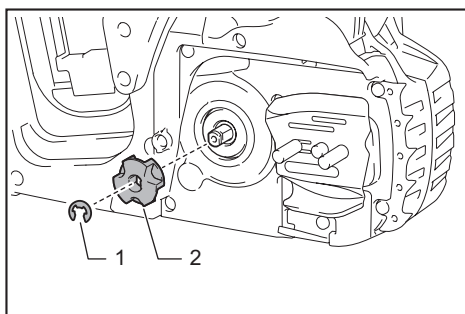
**⚠ ATTENTION : Un pignon usé endommagera la chaîne neuve. Remplacez le pignon s'il est usé.**

Avant de poser une chaîne neuve, vérifiez l'état du pignon.



► 1. Pignon 2. Zones qui s'usent

Lorsque vous remplacez le pignon, posez toujours un anneau de verrouillage neuf.



► 1. Anneau de verrouillage 2. Pignon

**AVIS : Assurez-vous que le pignon est installé tel qu'indiqué sur la figure.**

## Rangement de l'outil

1. Nettoyez l'outil avant de le ranger. Retirez les copeaux et la sciure de bois qui recouvrent l'outil après avoir enlevé le protecteur de pignon.
2. Après avoir nettoyé l'outil, faites-le tourner à vide afin de lubrifier la chaîne et le guide-chaîne.
3. Recouvrez le guide-chaîne du protecteur de guide-chaîne.
4. Videz le réservoir d'huile.

## Instructions pour entretien périodique

Pour garantir la longue durée de vie de l'outil, éviter tout endommagement et assurer le bon fonctionnement des fonctions de sécurité, l'entretien suivant doit être effectué régulièrement. Les réclamations sous garantie peuvent être reconnues uniquement si cette tâche est effectuée régulièrement et correctement. Si l'entretien indiqué n'est pas effectué, il y a risque d'accident ! L'utilisateur de la tronçonneuse ne doit pas effectuer des tâches d'entretien qui ne sont pas décrites dans le manuel d'instructions. Ces tâches doivent être effectuées par notre centre de service après-vente agréé.

Élément à vérifier / Temps d'utilisation		Avant l'utilisation	Chaque jour	Chaque semaine	Tous les 3 mois	Chaque année	Avant le rangement
Chaîne	Inspection	✓	-	-	-	-	-
	Nettoyage	-	✓	-	-	-	-
	Vérification au centre de service après-vente agréé	-	-	-	-	✓	✓
Chaîne	Inspection	✓	-	-	-	-	-
	Affûtage si nécessaire	-	-	-	-	-	✓
Guide-chaîne	Inspection	✓	✓	-	-	-	-
	Retirer de la tronçonneuse.	-	-	-	-	-	✓
Frein de chaîne	Vérifier le fonctionnement.	✓	-	-	-	-	-
	Faire inspecter régulièrement au centre de service après-vente agréé.	-	-	-	✓	-	-
Lubrification de la chaîne	Vérifier le débit d'huile.	✓	-	-	-	-	-
Gâchette	Inspection	✓	-	-	-	-	-
Levier de sécurité	Inspection	✓	-	-	-	-	-
Bouchon du réservoir d'huile	Vérifier le serrage.	✓	-	-	-	-	-
Attrape-chaîne	Inspection	-	-	✓	-	-	-
Vis et écrous	Inspection	-	-	✓	-	-	-

# DÉPANNAGE

Avant de faire une demande de réparation, faites d'abord votre propre inspection. Si vous rencontrez un problème non indiqué dans ce manuel, n'essayez pas de démonter l'outil. Demandez plutôt à un centre de service après-vente Makita agréé de faire la réparation avec des pièces de rechange Makita.

État de dysfonctionnement	Cause	Mesure à prendre
La tronçonneuse ne démarre pas.	Les deux batteries ne sont pas installées.	Installez deux batteries chargées.
	Problème de batterie (faible tension)	Rechargez les batteries. Si la recharge est inefficace, remplacez la batterie.
	L'interrupteur d'alimentation secteur est en position d'arrêt.	La tronçonneuse s'éteint automatiquement si elle reste inutilisée pendant un certain temps. Remettez l'interrupteur d'alimentation secteur en position de marche.
La chaîne ne tourne pas.	Le frein de chaîne est activé.	Libérez le frein de chaîne.
Le moteur cesse de tourner au bout d'un bref moment d'utilisation.	Le niveau de charge de la batterie est bas.	Rechargez les batteries. Si la recharge est inefficace, remplacez la batterie.
Absence d'huile sur la chaîne	Le réservoir d'huile est vide.	Remplissez le réservoir d'huile.
	La rainure-guide d'huile est sale.	Nettoyez la rainure.
	Mauvaise alimentation en huile	Réglez la quantité d'alimentation en huile à l'aide de la vis de réglage.
La tronçonneuse n'atteint pas son régime maximal.	La batterie ne sont pas bien installées.	Installez les batteries tel que décrit dans ce manuel.
	La puissance de la batterie diminue.	Rechargez les batteries. Si la recharge est inefficace, remplacez la batterie.
	Le dispositif d'entraînement ne fonctionne pas bien.	Faites une demande de réparation au centre de service après-vente agréé de votre localité.
Le témoin d'alimentation secteur clignote.	Vous appuyez sur la gâchette dans des conditions où l'outil n'est pas utilisable.	N'appuyez sur la gâchette qu'après avoir mis l'interrupteur d'alimentation secteur en position de marche et avoir libéré le frein de chaîne.
La chaîne ne s'arrête pas même si le frein de chaîne est activé : <b>Arrêtez la machine immédiatement !</b>	La bande de frein est usée.	Faites une demande de réparation au centre de service après-vente agréé de votre localité.
Vibrations anormales : <b>Arrêtez la machine immédiatement !</b>	Guide-chaîne ou chaîne lâche	Réglez la tension du guide-chaîne et de la chaîne.
	Mauvais fonctionnement de l'outil	Faites une demande de réparation au centre de service après-vente agréé de votre localité.

## ACCESSOIRES EN OPTION

**ATTENTION** : Ces accessoires ou pièces complémentaires sont recommandés pour l'utilisation avec l'outil Makita spécifié dans ce manuel. L'utilisation de tout autre accessoire ou pièce complémentaire peut comporter un risque de blessure. N'utilisez les accessoires ou pièces complémentaires qu'aux fins auxquelles ils ont été conçus.

Si vous désirez obtenir plus de détails sur ces accessoires, veuillez contacter le centre de service après-vente Makita le plus près.

- Chaîne
- Guide-chaîne
- Protecteur de guide-chaîne
- Pignon
- Lime
- Sac de rangement
- Chargeur et batterie authentiques Makita

**MISE EN GARDE** : Si vous achetez un guide-chaîne d'une longueur différente de celle du guide-chaîne standard, achetez également un protecteur de guide-chaîne adéquat. Une fois installé, il doit recouvrir parfaitement le guide-chaîne de la tronçonneuse.

**NOTE** : Certains éléments de la liste peuvent être inclus avec l'outil comme accessoires standards. Ils peuvent varier suivant les pays.

## GARANTIE LIMITÉE MAKITA

Pour les conditions de garantie en vigueur qui s'appliquent à ce produit, veuillez vous reporter à la feuille de garantie en annexe. Si la feuille de garantie en annexe n'est pas disponible, reportez-vous aux détails de la garantie présentés sur le site Web de votre pays, ci-dessous.

États-Unis d'Amérique: [www.makitatools.com](http://www.makitatools.com)  
Canada: [www.makita.ca](http://www.makita.ca)  
Autres pays: [www.makita.com](http://www.makita.com)

## ESPECIFICACIONES

Modelo:		DUC305	DUC355	DUC405
Longitud total (sin la barra de guía)		443 mm (17-1/2")		
Tensión nominal		36 V c.c.		
Peso neto		4,6 kg - 5,5 kg (10,1 lbs - 12,1 lbs)		
Longitud de la barra de guía estándar		300 mm (12")	350 mm (14")	400 mm (16")
Longitud recomendada de la barra de guía	con la 90PX, 91PX	300 - 400 mm (12 - 16")		
	con la 25AP	250 mm (10")		
Tipo de cadena de la sierra aplicable (consulte la tabla a continuación)		90PX 91PX 25AP		
Pieza dentada estándar	Número de dientes	6 <sup>1</sup>		
	Paso	3/8"		
Velocidad de la cadena		0 m/s - 20 m/s (0 m/min - 1 200 m/min) (0 ft/min - 3 940 ft/min)		
Volumen del tanque de aceite para la cadena		200 cm <sup>3</sup>		

- <sup>1</sup> Cuando utilice la cadena de la sierra 25AP, hágalo con la pieza dentada 9 (accesorio opcional).
- Debido a nuestro continuo programa de investigación y desarrollo, las especificaciones aquí incluidas están sujetas a cambio sin previo aviso.
- Las especificaciones y el cartucho de batería pueden variar de país a país.
- El peso puede variar en función de los accesorios, incluido el cartucho de batería. En la tabla se muestra la combinación de peso más ligero y más pesado conforme al procedimiento 01/2014 de EPTA.

### Cartucho de batería y cargador aplicables

Cartucho de batería	BL1815N / BL1820B / BL1830 / BL1830B / BL1840B / BL1850B / BL1860B
Cargador	DC18RC / DC18RD / DC18RE / DC18SD / DC18SE / DC18SF / DC18SH

- Algunos de los cartuchos de batería y cargadores enumerados arriba podrían no estar disponibles dependiendo de su área de residencia.

**⚠ ADVERTENCIA:** Use únicamente los cartuchos de batería y los cargadores indicados arriba. El uso de cualquier otro cartucho de batería y cargador podría ocasionar una lesión y/o un incendio.

### Fuente de alimentación conectada por cable recomendada

Adaptador para batería	BAP182
Unidad portátil de alimentación eléctrica	PDC01 / PDC1200

- La o las fuentes de alimentación conectadas por cable enumeradas arriba podrían no estar disponibles dependiendo de su área de residencia.
- Antes de utilizar la fuente de alimentación conectada por cable, lea las instrucciones e indicaciones de precaución sobre ellas.



## Combinación de cadena de la sierra, barra de guía y pieza dentada

Tipo de cadena de la sierra		90PX		
Número de eslabones motorices		46	52	56
Barra de guía	Longitud de la barra de guía	300 mm (12")	350 mm (14")	400 mm (16")
	Longitud de corte	275 mm (10-7/8")	330 mm (13")	370 mm (14-1/2")
	No. de pieza	165245-8	165246-6	165247-4
	Paso	3/8"		
	Calibre	1,1 mm (0,043")		
	Tipo	Barra dentada		
Pieza dentada	Número de dientes	6		
	Paso	3/8"		

Tipo de cadena de la sierra		91PX		
Número de eslabones motorices		46	52	56
Barra de guía	Longitud de la barra de guía	300 mm (12")	350 mm (14")	400 mm (16")
	Longitud de corte	275 mm (10-7/8")	330 mm (13")	370 mm (14-1/2")
	No. de pieza	165200-0	165201-8	165202-6
	Paso	3/8"		
	Calibre	1,3 mm (0,050")		
	Tipo	Barra dentada		
Pieza dentada	Número de dientes	6		
	Paso	3/8"		

Tipo de cadena de la sierra		25AP		
Número de eslabones motorices		60		
Barra de guía	Longitud de la barra de guía	250 mm (10")		
	Longitud de corte	230 mm (9")		
	No. de pieza	168407-7		
	Paso	1/4"		
	Calibre	1,3 mm (0,050")		
	Tipo	Barra curvada		
Pieza dentada	Número de dientes	9		
	Paso	1/4"		

**⚠ ADVERTENCIA:** Utilice una combinación apropiada de la barra de guía y cadena de la sierra. De lo contrario, esto podría ocasionar una lesión personal.

# ADVERTENCIAS DE SEGURIDAD

## Advertencias generales de seguridad para herramientas eléctricas

**⚠️ ADVERTENCIA:** Lea todas las advertencias de seguridad, instrucciones, ilustraciones y especificaciones suministradas con esta herramienta eléctrica. El no seguir todas las instrucciones indicadas a continuación podría ocasionar una descarga eléctrica, incendio y/o lesiones graves.

## Conserve todas las advertencias e instrucciones como referencia en el futuro.

En las advertencias, el término "herramienta eléctrica" se refiere a su herramienta eléctrica de funcionamiento con conexión a la red eléctrica (con cableado eléctrico) o herramienta eléctrica de funcionamiento a batería (inalámbrica).

### Seguridad en el área de trabajo

1. **Mantenga el área de trabajo limpia y bien iluminada.** Las áreas oscuras o desordenadas son propensas a accidentes.
2. **No utilice las herramientas eléctricas en atmósferas explosivas, tal como en la presencia de líquidos, gases o polvo inflamables.** Las herramientas eléctricas crean chispas que pueden prender fuego al polvo o los humos.
3. **Mantenga a los niños y curiosos alejados mientras utiliza una herramienta eléctrica.** Las distracciones le pueden hacer perder el control.

### Seguridad eléctrica

1. **Las clavijas de conexión de las herramientas eléctricas deberán encajar perfectamente en la toma de corriente. No modifique nunca la clavija de conexión de ninguna forma. No utilice ninguna clavija adaptadora con herramientas eléctricas que tengan conexión a tierra (puesta a tierra).** La utilización de clavijas no modificadas y que encajen perfectamente en la toma de corriente reducirá el riesgo de que se produzca una descarga eléctrica.
2. **Evite tocar con el cuerpo superficies conectadas a tierra o puestas a tierra tales como tubos, radiadores, cocinas y refrigeradores.** Si su cuerpo es puesto a tierra o conectado a tierra existirá un mayor riesgo de que sufra una descarga eléctrica.
3. **No exponga las herramientas eléctricas a la lluvia ni a condiciones húmedas.** La entrada de agua en una herramienta eléctrica aumentará el riesgo de que se produzca una descarga eléctrica.
4. **No maltrate el cable. Nunca utilice el cable para transportar, jalar o desconectar la herramienta eléctrica. Mantenga el cable alejado del calor, aceite, objetos cortantes o piezas móviles.** Los cables dañados o enredados aumentan el riesgo de sufrir una descarga eléctrica.

5. **Cuando utilice una herramienta eléctrica en exteriores, utilice un cable de extensión apropiado para uso en exteriores.** La utilización de un cable apropiado para uso en exteriores reducirá el riesgo de que se produzca una descarga eléctrica.
6. **Si no es posible evitar usar una herramienta eléctrica en condiciones húmedas, utilice un alimentador protegido con interruptor de circuito de falla a tierra (ICFT).** El uso de un ICFT reduce el riesgo de descarga eléctrica.
7. **Las herramientas eléctricas pueden producir campos electromagnéticos (CEM) que no son dañinos para el usuario.** Sin embargo, si los usuarios tienen marcapasos y otros dispositivos médicos similares, deberán consultar al fabricante de su dispositivo y/o a su médico antes de operar esta herramienta eléctrica.

### Seguridad personal

1. **Manténgase alerta, preste atención a lo que está haciendo y utilice su sentido común cuando opere una herramienta eléctrica. No utilice una herramienta eléctrica cuando esté cansado o bajo la influencia de drogas, alcohol o medicamentos.** Un momento de distracción mientras opera las herramientas eléctricas puede terminar en una lesión grave.
2. **Use equipo de protección personal. Póngase siempre protección para los ojos.** El equipo protector tal como máscara contra el polvo, zapatos de seguridad antiderrapantes, casco rígido y protección para oídos utilizado en las condiciones apropiadas reducirá el riesgo de lesiones.
3. **Impida el encendido accidental. Asegúrese de que el interruptor esté en la posición de apagado antes de conectar a la alimentación eléctrica y/o de colocar el cartucho de batería, así como al levantar o cargar la herramienta.** Cargar las herramientas eléctricas con su dedo en el interruptor o enchufarlas con el interruptor encendido hace que los accidentes sean comunes.
4. **Retire cualquier llave de ajuste o llave de apriete antes de encender la herramienta.** Una llave de ajuste o llave de apriete que haya sido dejada puesta en una parte giratoria de la herramienta eléctrica puede ocasionar alguna lesión.
5. **No utilice la herramienta donde no alcance. Mantenga los pies sobre suelo firme y el equilibrio en todo momento.** Esto permite un mejor control de la herramienta eléctrica en situaciones inesperadas.
6. **Use una vestimenta apropiada. No use ropa suelta ni alhajas. Mantenga el cabello, la ropa y los guantes alejados de las piezas móviles.** Las prendas de vestir holgadas, las alhajas y el cabello largo suelto podrían engancharse en estas piezas móviles.
7. **Si dispone de dispositivos para la conexión de equipos de extracción y recolección de polvo, asegúrese de conectarlos y utilizarlos debidamente.** Hacer uso de la recolección de polvo puede reducir los riesgos relacionados con el polvo.

8. **No permita que la familiaridad adquirida debido al uso frecuente de las herramientas haga que se sienta confiado e ignore los principios de seguridad de las herramientas.** Un descuido podría ocasionar una lesión grave en una fracción de segundo.
9. **Utilice siempre gafas protectoras para proteger sus ojos de lesiones al usar herramientas eléctricas. Las gafas deben cumplir con la Norma ANSI Z87.1 en EUA.** Es responsabilidad del empleador imponer el uso de equipos protectores de seguridad apropiados a los operadores de la herramienta y demás personas cerca del área de trabajo.

#### Mantenimiento y uso de la herramienta eléctrica

1. **No fuerce la herramienta eléctrica. Utilice la herramienta eléctrica correcta para su aplicación.** La herramienta eléctrica adecuada hará un mejor trabajo y de forma más segura a la velocidad para la que ha sido fabricada.
2. **No utilice la herramienta eléctrica si el interruptor no la enciende y apaga.** Cualquier herramienta eléctrica que no pueda ser controlada con el interruptor es peligrosa y debe ser reemplazada.
3. **Desconecte la clavija de la fuente de alimentación y/o retire la batería de la herramienta eléctrica, en caso de ser removible, antes de realizar ajustes, cambiar accesorios o almacenar las herramientas eléctricas.** Tales medidas de seguridad preventivas reducirán el riesgo de poner en marcha la herramienta eléctrica de forma accidental.
4. **Guarde la herramienta eléctrica que no use fuera del alcance de los niños y no permita que las personas que no están familiarizadas con ella o con las instrucciones la operen.** Las herramientas eléctricas son peligrosas en manos de personas que no saben operarlas.
5. **Dé mantenimiento a las herramientas eléctricas y los accesorios. Compruebe que no haya piezas móviles desalineadas o estancadas, piezas rotas y cualquier otra condición que pueda afectar al funcionamiento de la herramienta eléctrica. Si la herramienta eléctrica está dañada, haga que la reparen antes de utilizarla.** Muchos de los accidentes son ocasionados por no dar un mantenimiento adecuado a las herramientas eléctricas.
6. **Mantenga las herramientas de corte limpias y filosas.** Si recibe un mantenimiento adecuado y tiene los bordes afilados, es probable que la herramienta se atasque menos y sea más fácil controlarla.
7. **Utilice la herramienta eléctrica, los accesorios y las brocas de acuerdo con estas instrucciones, considerando las condiciones laborales y el trabajo a realizar.** Si utiliza la herramienta eléctrica para realizar operaciones distintas de las indicadas, podrá presentarse una situación peligrosa.
8. **Mantenga los mangos y superficies de asimiento secos, limpios y libres de aceite o grasa.** Los mangos y superficies de asimiento resbalosos no permiten una manipulación segura ni el control de la herramienta en situaciones inesperadas.

9. **Cuando vaya a utilizar esta herramienta, evite usar guantes de trabajo de tela ya que éstos podrían atorarse.** Si los guantes de trabajo de tela llegaran a atorarse en las piezas móviles, esto podría ocasionar lesiones personales.

#### Uso y cuidado de la herramienta a batería

1. **Recargue sólo con el cargador especificado por el fabricante.** Un cargador que es adecuado para un solo tipo de batería puede generar riesgo de incendio al ser utilizado con otra batería.
2. **Utilice las herramientas eléctricas solamente con las baterías designadas específicamente para ellas.** La utilización de cualquier otra batería puede crear un riesgo de lesiones o incendio.
3. **Cuando no se esté usando la batería, manténgala alejada de otros objetos metálicos, como sujetapapeles (clips), monedas, llaves, clavos, tornillos u otros objetos pequeños de metal los cuales pueden actuar creando una conexión entre las terminales de la batería.** Originar un cortocircuito en las terminales puede causar quemaduras o incendios.
4. **En condiciones abusivas, podrá escapar líquido de la batería; evite tocarlo. Si lo toca accidentalmente, enjuague con agua. Si hay contacto del líquido con los ojos, busque asistencia médica.** Puede que el líquido expulsado de la batería cause irritación o quemaduras.
5. **No utilice una herramienta ni una batería que estén dañadas o hayan sido modificadas.** Las baterías dañadas o modificadas podrían ocasionar una situación inesperada provocando un incendio, explosión o riesgo de lesiones.
6. **No exponga la herramienta ni la batería al fuego ni a una temperatura excesiva.** La exposición al fuego o a una temperatura superior a los 130 °C podría causar una explosión.
7. **Siga todas las instrucciones para la carga y evite cargar la herramienta o la batería fuera del rango de temperatura especificado en las instrucciones.** Una carga inadecuada o a una temperatura fuera del rango especificado podría dañar la batería e incrementar el riesgo de incendio.

#### Servicio

1. **Haga que una persona calificada repare la herramienta eléctrica utilizando sólo piezas de repuesto idénticas.** Esto asegura que se mantenga la seguridad de la herramienta eléctrica.
2. **Nunca dé servicio a baterías que estén dañadas.** El servicio a las baterías solamente deberá ser efectuado por el fabricante o un agente de servicio autorizado.
3. **Siga las instrucciones para la lubricación y cambio de accesorios.**
4. **No modifique ni intente reparar el aparato ni el paquete de baterías salvo como se indique en las instrucciones para el uso y cuidado.**

### Advertencias de seguridad para la electrosierra inalámbrica

1. **Mantenga todas las partes del cuerpo alejadas de la cadena de la sierra cuando la sierra eléctrica esté en marcha. Antes de arrancar la sierra eléctrica, asegúrese de que la cadena de**

**la sierra no esté haciendo contacto con nada.**

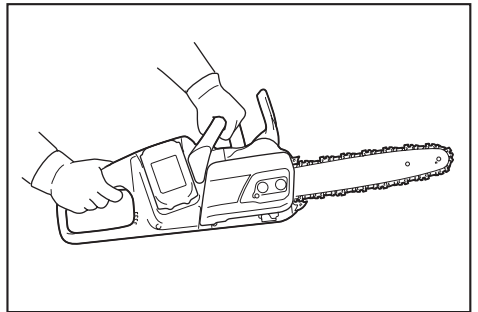
Un momento de falta de atención al estar operando sierras eléctricas podría causar que su ropa o alguna parte de su cuerpo se enganchara con la cadena de la sierra.

2. **Siempre sujete la sierra eléctrica con su mano derecha en el mango trasero y su mano izquierda en el mango delantero.** Sujetar la sierra eléctrica con una configuración de manos invertida aumenta el riesgo de lesiones personales, por lo que nunca debe hacer esto.
3. **Sujete la herramienta eléctrica solamente por las superficies de asimiento aisladas, ya que la cadena de la sierra podría entrar en contacto con cableado oculto.** Si las cadenas de las sierras entran en contacto con un cable con corriente, las piezas metálicas expuestas de la herramienta eléctrica se cargarán también de corriente y el operador podría recibir una descarga eléctrica.
4. **Utilice gafas de seguridad y protección auditiva.** Se recomienda utilizar equipo de protección adicional para la cabeza, manos, piernas y pies. El uso de una vestimenta de protección adecuada reducirá las lesiones personales a causa de los residuos que salgan proyectados o el contacto accidental con la cadena de la sierra.
5. **No use una sierra eléctrica estando en un árbol.** La operación de una sierra eléctrica estando arriba en un árbol podría ocasionar lesiones personales.
6. **Siempre pise firmemente y solamente opere la sierra eléctrica cuando esté parado sobre una superficie fija, segura y nivelada.** Las superficies resbalosas o inestables tales como las escaleras pueden causar la pérdida del equilibrio o del control de la sierra eléctrica.
7. **Cuando corte una rama que se encuentre tensionada, esté alerta a su liberación brusca.** Al liberarse la tensión en las fibras de la madera, la rama tensionada puede golpear al operador y/o provocar la pérdida de control de la sierra eléctrica.
8. **Tenga extrema precaución al cortar matorrales y árboles jóvenes.** El material tierno puede quedar atascado en la cadena de la sierra y ser lanzado hacia usted o hacerle perder el equilibrio.
9. **Cargue la sierra eléctrica del mango delantero estando apagada y lejos de su cuerpo. Cuando vaya a transportar o almacenar la sierra eléctrica, coloque siempre la cubierta de la barra de guía.** La manipulación adecuada de la sierra eléctrica reducirá la probabilidad de un contacto accidental con la sierra eléctrica en movimiento.
10. **Siga las instrucciones para la lubricación, tensión de la cadena y cambio de accesorios.** Una tensión o lubricación inadecuadas de la cadena podría ya sea ocasionar un rompimiento o aumentar la probabilidad de un retroceso brusco.
11. **Mantenga los mangos secos, limpios, y libres de aceite y grasa.** Los mangos grasosos y aceitosos son resbalosos y causan la pérdida de control.
12. **Corte madera únicamente. No utilice la sierra eléctrica para otros fines que no sean para los que fue diseñada. Por ejemplo: no utilice**

**la sierra eléctrica para cortar plástico, mampostería o materiales de construcción que no sean de madera.** El uso de la sierra eléctrica para operaciones distintas para las que fue diseñada podría provocar una situación peligrosa.

13. **Causas de retrocesos bruscos y prevención por parte del operador:**  
El retroceso brusco puede ocurrir cuando la nariz o punta de la barra de guía toca algún objeto, o cuando la madera alcanza la cadena de la sierra y la atora en el corte. En algunos casos, el contacto de la punta puede causar una reacción en reversa, ocasionando que la barra de guía se mueva bruscamente hacia arriba y hacia atrás en dirección del operador. El atoramiento de la cadena de la sierra junto con la parte superior de la barra de guía puede empujar rápidamente la barra de guía hacia atrás en la dirección del operador. Cualquiera de estas reacciones puede causar la pérdida de control de la sierra, lo que a su vez podría ocasionar lesiones personales graves. No dependa exclusivamente de los dispositivos de seguridad incorporados en su sierra. Como usuario de una sierra eléctrica, usted deberá tomar diversas medidas para mantener sus trabajos de corte libres de accidentes o lesiones. El retroceso brusco es el resultado de un mal uso de la herramienta y/o de procedimientos o condiciones de operación incorrectos y puede evitarse tomando las precauciones adecuadas tal como se indica a continuación:

- **Mantenga una sujeción firme, rodeando con los pulgares y los dedos los mangos de la sierra eléctrica, con ambas manos en la sierra y posicionando su cuerpo y su brazo de manera que le permita resistir las fuerzas de los retrocesos bruscos.** Las fuerzas de los retrocesos bruscos pueden ser controladas por el operador, siempre que se tomen las precauciones adecuadas. No suelte la sierra eléctrica.



- **No exceda su alcance ni corte por encima de la altura de su hombro.** Esto le ayudará a prevenir que la punta haga contacto de manera no intencional y le permita un mejor control de la sierra eléctrica durante situaciones inesperadas.
- **Use solamente barras y cadenas de repuesto especificadas por el fabricante.** El reemplazo incorrecto de las barras y cadenas podría causar la rotura de la cadena y/o un retroceso brusco.

## Instrucciones importantes de seguridad para el cartucho de batería


- **Siga las instrucciones de afilado y mantenimiento del fabricante para la cadena de la sierra.** Reducir la altura del calibrador de profundidad podría ocasionar un mayor número de retrocesos bruscos.
14. **Antes de comenzar el trabajo, verifique que la sierra eléctrica se encuentre en buen estado y que su condición cumpla con las normas de seguridad. Verifique en particular que:**
    - El freno de la cadena funcione debidamente;
    - El freno de retención funcione debidamente;
    - La barra y la cubierta de la pieza dentada estén colocadas correctamente;
    - La cadena haya sido afilada y tensionada de acuerdo con los reglamentos.
  15. **No arranque la sierra eléctrica con la cubierta de la cadena instalada en ésta.** El arrancar la sierra eléctrica con la cubierta de la cadena instalada en ésta podría causar que la cubierta de la cadena saliera arrojada hacia adelante, ocasionando lesiones personales y daños a los objetos alrededor del operador.
  16. **Evite los entornos peligrosos. No utilice la herramienta en lugares húmedos o mojados ni la esponja a la lluvia. El agua que ingrese a la herramienta incrementará el riesgo de descarga eléctrica.**
  17. **No arroje la(s) batería(s) al fuego. La celda podría explotar. Consulte los códigos locales para ver si hay instrucciones especiales relacionadas con la disposición.**
  18. **No abra ni dañe la(s) batería(s). Los electrolitos liberados son corrosivos y pueden ocasionar daños en los ojos o la piel. Estos pueden ser tóxicos si se llegan a tragar.**
  19. **No cargue la batería bajo la lluvia ni en lugares mojados.**

## CONSERVE ESTAS INSTRUCCIONES.

**⚠ ADVERTENCIA: NO DEJE** que la comodidad o familiaridad con el producto (a base de utilizarlo repetidamente) evite que siga estrictamente las normas de seguridad para dicho producto. **EL USO INCORRECTO** o el no seguir las normas de seguridad indicadas en este manual de instrucciones puede ocasionar lesiones graves.

## Símbolos

A continuación se muestran los símbolos utilizados para la herramienta.

V	volts o voltios
— — —	corriente directa o continua
ft/min	pies por minuto
	número de piezas de la cadena de la sierra y la barra de guía aplicables

1. **Antes de utilizar el cartucho de batería, lea todas las instrucciones e indicaciones de precaución en el (1) el cargador de batería, (2) la batería, y (3) el producto con el que se utiliza la batería.**
2. **No desarme el cartucho de batería.**
3. **Si el tiempo de operación se ha acortado en exceso, deje de operar de inmediato. Podría correrse el riesgo de sobrecalentamiento, posibles quemaduras e incluso explosión.**
4. **En caso de que ingresen electrolitos en sus ojos, enjuáguelos bien con agua limpia y consulte de inmediato a un médico. Esto podría ocasionar pérdida de visión.**
5. **Evite cortocircuitar el cartucho de batería:**
  - (1) **No toque las terminales con ningún material conductor.**
  - (2) **Evite guardar el cartucho de batería en un cajón junto con otros objetos metálicos, tales como clavos, monedas, etc.**
  - (3) **No exponga el cartucho de batería al agua o la lluvia.**

Un cortocircuito en la batería puede causar un flujo grande de corriente, sobrecalentamiento, posibles quemaduras e incluso una descompostura.
6. **No guarde la herramienta ni el cartucho de batería en lugares donde la temperatura pueda alcanzar o exceder los 50°C (122°F).**
7. **Nunca incinere el cartucho de batería incluso en el caso de que esté dañado seriamente o ya no sirva en absoluto. El cartucho de batería puede explotar si se tira al fuego.**
8. **Tenga cuidado de no dejar caer ni golpear la batería.**
9. **No use una batería dañada.**
10. **Las baterías de ión de litio están sujetas a los requisitos reglamentarios en materia de bienes peligrosos.**

Para el transporte comercial, por ej., mediante terceros o agentes de transporte, se deben tomar en cuenta los requisitos especiales relativos al empaque y el etiquetado.

Para efectuar los preparativos del artículo que se va a enviar, se requiere consultar a un experto en materiales peligrosos. Si es posible, consulte además otras regulaciones nacionales más detalladas.

Pegue o cubra con cinta adhesiva los contactos abiertos y empaque la batería de manera que ésta no pueda moverse dentro del paquete.
11. **Para deshacerse del cartucho de batería, sáquelo de la herramienta y deséchelo en un lugar seguro. Siga las regulaciones locales relacionadas al desecho de las baterías.**
12. **Utilice las baterías únicamente con los productos especificados por Makita.** Instalar las baterías en productos que no cumplan con los requisitos podría ocasionar un incendio, un calentamiento excesivo, una explosión o una fuga de electrolito.

13. Si no se utiliza la herramienta por un período largo, debe extraerse la batería de la herramienta.

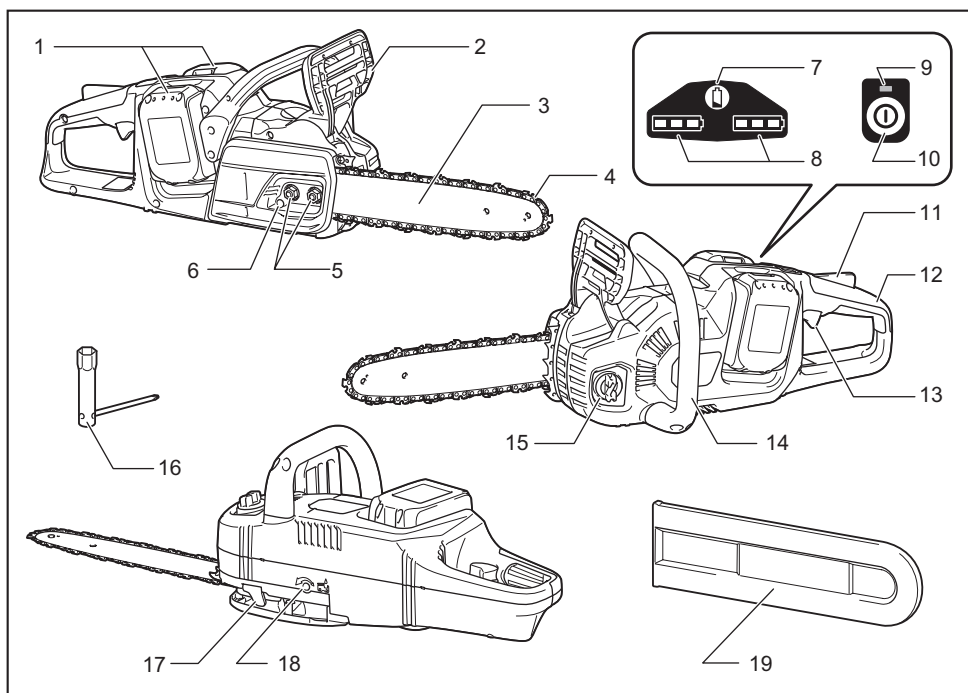
## GUARDE ESTAS INSTRUCCIONES.

**⚠PRECAUCIÓN:** Utilice únicamente baterías originales de Makita. El uso de baterías no originales de Makita, o de baterías alteradas, puede ocasionar que las baterías exploten causando un incendio, lesiones personales y daños. Asimismo, esto invalidará la garantía de Makita para la herramienta y el cargador Makita.

## Consejos para alargar al máximo la vida útil de la batería

1. Cargue el cartucho de batería antes de que se descargue completamente. Pare siempre la operación y cargue el cartucho de batería cuando note menos potencia en la herramienta.
2. No cargue nunca un cartucho de batería que esté completamente cargado. La sobrecarga acortará la vida de servicio de la batería.
3. Cargue el cartucho de batería a una temperatura ambiente de 10 °C - 40 °C (50 °F - 104 °F). Si un cartucho de batería está caliente, déjelo enfriar antes de cargarlo.
4. Cargue el cartucho de batería si no va a utilizarlo durante un período prolongado (más de seis meses).

## DESCRIPCIÓN DE LAS PIEZAS



1	Cartucho de batería	2	Protector de mano delantero	3	Barra de guía
4	Cadena de la sierra	5	Tuerca de retención	6	Tornillo de ajuste de la cadena
7	Botón de verificación	8	Indicador de capacidad	9	Lámpara de alimentación principal
10	Interruptor de alimentación principal	11	Palanca de desbloqueo	12	Mango trasero
13	Gatillo interruptor	14	Mango delantero	15	Tapa del tanque de aceite
16	Llave de ojo	17	Receptor de la cadena	18	Tornillo de ajuste (para bomba de aceite)
19	Cubierta de la barra de guía	-	-	-	-

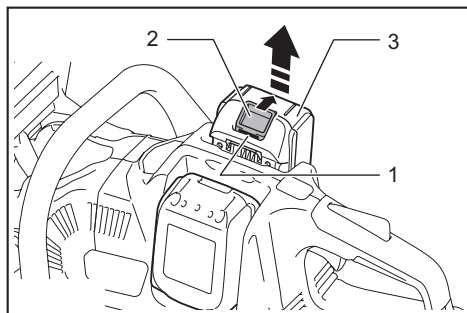
# DESCRIPCIÓN DEL FUNCIONAMIENTO

**⚠️ PRECAUCIÓN:** Asegúrese siempre de que la herramienta esté apagada y el cartucho de batería haya sido extraído antes de realizar cualquier ajuste o comprobación en la herramienta.

## Instalación o extracción del cartucho de batería

**⚠️ PRECAUCIÓN:** Apague siempre la herramienta antes de colocar o quitar el cartucho de batería.

**⚠️ PRECAUCIÓN:** Sujete la herramienta y el cartucho de la batería con firmeza al colocar o quitar el cartucho de batería. Si no se sujeta con firmeza la herramienta y el cartucho de batería, puede ocasionar que se resbalen de sus manos causando daños a la herramienta y al cartucho de batería, así como lesiones a la persona.



► 1. Indicador rojo 2. Botón 3. Cartucho de batería

Para quitar el cartucho de batería, deslícelo de la herramienta mientras desliza el botón sobre la parte delantera del cartucho.

Para colocar el cartucho de batería, alinee la lengüeta sobre el cartucho de batería con la ranura en la carcasa y deslice en su lugar. Inserte por completo hasta que se fije en su lugar con un pequeño clic. Si puede ver el indicador rojo del lado superior del botón, esto indica que no ha quedado fijo por completo.

**⚠️ PRECAUCIÓN:** Introduzca siempre completamente el cartucho de batería hasta que el indicador rojo no pueda verse. Si no, podría accidentalmente salirse de la herramienta y caer al suelo causando una lesión a usted o alguien a su alrededor.

**⚠️ PRECAUCIÓN:** No instale el cartucho de batería a la fuerza. Si el cartucho no se desliza al interior fácilmente, se debe a que no está siendo insertado correctamente.

**NOTA:** La herramienta no funciona con un solo cartucho de batería.

**NOTA:** Ponga atención a la posición de sus dedos cuando instale la batería. El botón se oprimirá de manera no intencional.

## Sistema de protección para la herramienta/batería

La herramienta está equipada con un sistema de protección para la herramienta/batería. Este sistema corta en forma automática el suministro de energía al motor para prolongar la vida útil de la herramienta y la batería. La herramienta se detendrá automáticamente durante la operación si la herramienta o la batería se someten a una de las siguientes condiciones. En algunas condiciones, los indicadores pueden encenderse.

### Protección contra sobrecarga

Cuando la herramienta está siendo operada de manera que causa que consuma una cantidad de corriente inusualmente alta, la herramienta se detendrá automáticamente y la lámpara de alimentación principal comenzará a parpadear. En este caso, apague la herramienta y detenga la aplicación que causó que la herramienta se sobrecargara. Luego encienda la herramienta para reiniciarla.

### Protección contra sobrecalentamiento

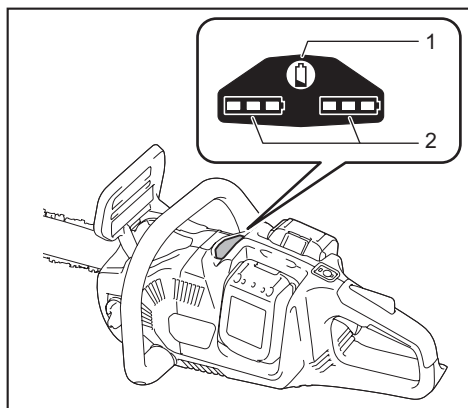
Cuando la herramienta se sobrecaliente, ésta se detendrá automáticamente y la lámpara del indicador de capacidad comenzará a parpadear tal como se muestra en la ilustración. En este caso, permita que la herramienta se enfríe antes de volver a encenderla.

Estado del indicador de capacidad			Estado
Encendido	Apagado	Parpadeando	
			Sobrecalentada.

### Protección contra sobredescarga

Cuando la capacidad de la batería se reduce, la herramienta se detiene automáticamente. Si el producto no funciona incluso cuando los interruptores están siendo operados, retire las baterías de la herramienta y cárguelas.

## Indicación de capacidad restante de la batería



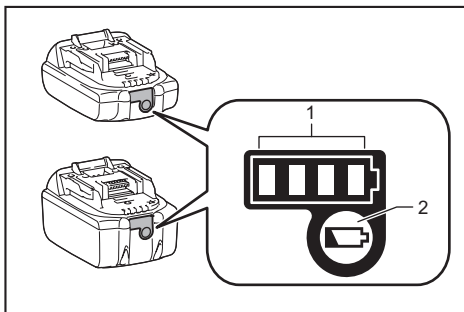
► 1. Botón de verificación 2. Indicador de capacidad

La capacidad restante de la batería es mostrada mientras oprime el botón de verificación. Los indicadores de capacidad corresponden a cada batería.

Estado del indicador de capacidad			Capacidad restante de la batería
Encendido	Apagado	Parpadeando	
			50% a 100%
			20% a 50%
			0% a 20%
			Cargar la batería

## Indicación de la capacidad restante de la batería

Únicamente para cartuchos de batería con el indicador



► 1. Luces indicadoras 2. Botón de verificación

Oprima el botón de verificación en el cartucho de la batería para que indique la capacidad restante de la batería. Las luces indicadoras se iluminarán por algunos segundos.

Luces indicadoras			Capacidad restante
Iluminadas	Apagadas	Parpadeando	
			75% a 100%
			50% a 75%
			25% a 50%
			0% a 25%
			Cargar la batería.
			La batería pudo haber funcionado mal.

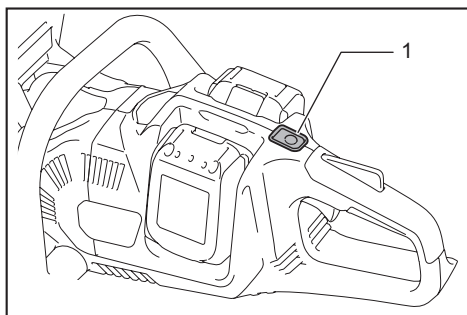
**NOTA:** Dependiendo de las condiciones de uso y la temperatura ambiente, la indicación podrá diferir ligeramente de la capacidad real.

## Interruptor de alimentación principal

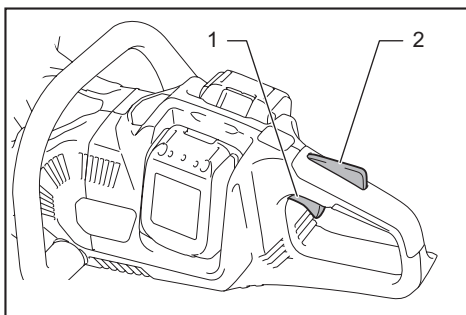
**ADVERTENCIA:** Siempre apague el interruptor de alimentación principal cuando no lo vaya a utilizar.

Para poner en espera la sierra eléctrica, oprima el interruptor de alimentación principal hasta que la lámpara de alimentación principal se encienda. Para apagarla, oprima nuevamente el interruptor de alimentación principal.





► 1. Interruptor de alimentación principal



► 1. Gatillo interruptor 2. Palanca de desbloqueo

**NOTA:** La lámpara de alimentación principal parpadeará si el gatillo interruptor es jalado en condiciones de inoperabilidad. La lámpara parpadeará si usted:

- enciende el interruptor de alimentación principal mientras mantiene presionada la palanca de desbloqueo y el gatillo interruptor;
- jala el gatillo interruptor mientras acciona el freno de la cadena;
- libera el freno de la cadena mientras mantiene presionada la palanca de desbloqueo y jala el gatillo interruptor.

**NOTA:** Esta herramienta emplea la función de apagado automático. A fin de evitar un arranque no intencional, el interruptor de alimentación principal se apagará automáticamente cuando el gatillo interruptor no sea jalado durante cierto período después de que el interruptor de alimentación principal haya sido encendido.

## Accionamiento del interruptor

**⚠ADVERTENCIA:** Por su seguridad, esta herramienta está equipada con una palanca de desbloqueo para prevenir un arranque no intencional de la herramienta. **NUNCA** use la herramienta si se activa simplemente al jalar el gatillo interruptor sin presionar la palanca de desbloqueo. Devuelva la herramienta a nuestro centro de servicio autorizado para que realicen las reparaciones apropiadas **ANTES** de continuar su uso.

**⚠ADVERTENCIA:** **NUNCA** fije con cinta adhesiva ni impida el funcionamiento ni la finalidad de la palanca de desbloqueo.

**⚠PRECAUCIÓN:** Antes de insertar el cartucho de batería en la herramienta, compruebe siempre y cerciórese de que el gatillo interruptor se acciona debidamente y que vuelve a la posición "OFF" (apagado) cuando lo suelta.

**AVISO:** No jale fuerte el gatillo interruptor sin presionar la palanca de desbloqueo. Esto podría dañar el interruptor.

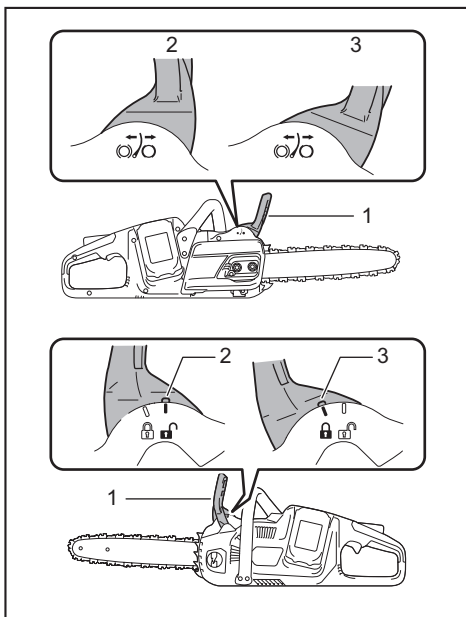
Se proporciona una palanca de desbloqueo para evitar que el gatillo interruptor sea jalado accidentalmente. Para arrancar la herramienta, presione la palanca de desbloqueo y jale el gatillo interruptor. La velocidad de la herramienta aumenta incrementando la presión en el gatillo interruptor. Para detener la herramienta, suelte el gatillo interruptor.

## Verificación del freno de la cadena

**⚠PRECAUCIÓN:** Sujete la sierra eléctrica con ambas manos cuando vaya a encenderla. Sujete el mango trasero con su mano derecha, y el mango delantero con su mano izquierda. La barra y la cadena no deberán estar haciendo contacto con ningún objeto.

**⚠PRECAUCIÓN:** En caso de que la cadena de la sierra no se detenga de inmediato al realizar esta prueba, la sierra no deberá usarse bajo ninguna circunstancia. Consulte a nuestro centro de servicio autorizado.

1. Presione la palanca de desbloqueo y luego jale el gatillo interruptor. La sierra eléctrica arrancará de inmediato.
2. Empuje el protector de mano delantero hacia adelante con el dorso de su mano. Asegúrese de que la sierra eléctrica se detenga de inmediato.



► 1. Protector de mano delantero 2. Posición desbloqueada 3. Posición bloqueada

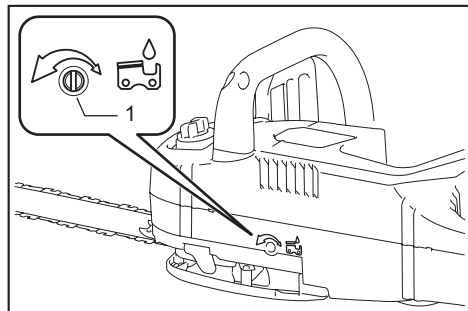
## Verificación del freno de retención

**⚠ PRECAUCIÓN:** Si la cadena de la sierra no se detiene en el lapso de un segundo durante esta prueba, deje de usar la sierra eléctrica y consulte a nuestro centro de servicio autorizado.

Haga funcionar la sierra eléctrica y luego suelte el gatillo interruptor por completo. La sierra eléctrica deberá detenerse en el lapso de un segundo.

## Ajuste de la lubricación de la cadena

El caudal de alimentación de la bomba de aceite puede ajustarse con el tornillo de ajuste. La cantidad de aceite puede ajustarse usando la llave universal.



► 1. Tornillo de ajuste

## MONTAJE

**⚠ PRECAUCIÓN:** Asegúrese siempre de que la herramienta esté apagada y el cartucho de batería haya sido extraído antes de realizar cualquier trabajo en la misma.

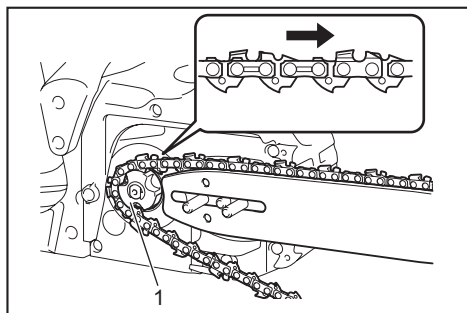
**⚠ PRECAUCIÓN:** No toque la cadena de la sierra con las manos descubiertas. Siempre use guantes al manipular la cadena de la sierra.

## Extracción o instalación de la cadena de la sierra

**⚠ PRECAUCIÓN:** La cadena de la sierra y la barra de guía siguen estando calientes justo después de la operación. Permita que se enfrien lo suficiente antes de realizar cualquier trabajo en la herramienta.

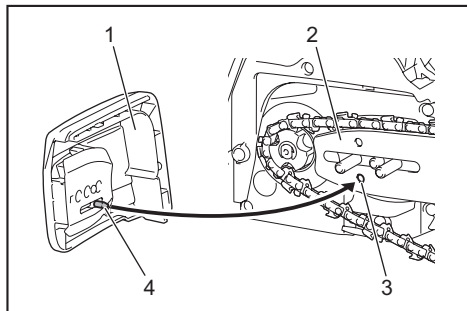
Para instalar la cadena de la sierra, realice los siguientes pasos:

1. Asegúrese sobre la dirección de la cadena. La marca de flecha en la cadena indica la dirección de la cadena.
2. Coloque un extremo de la cadena de la sierra en la parte superior de la barra de guía y el otro extremo alrededor de la pieza dentada.



► 1. Pieza dentada

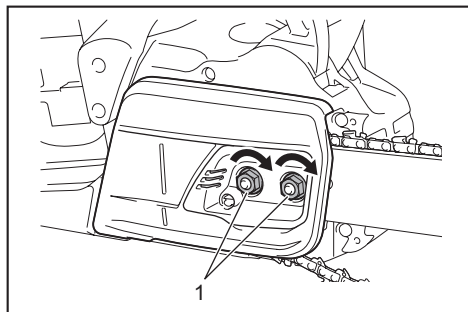
3. Apoye la barra de guía en su lugar sobre la sierra eléctrica.
4. Coloque la cubierta de la pieza dentada en la sierra eléctrica de tal forma que el pasador de ajuste quede posicionado en el orificio pequeño en la barra de guía.



► 1. Cubierta de la pieza dentada 2. Barra de guía  
3. Orificio 4. Pasador de ajuste

5. Apriete las tuercas de retención para asegurar la cubierta de la pieza dentada y luego aflojela un poco para ajustar la tensión.

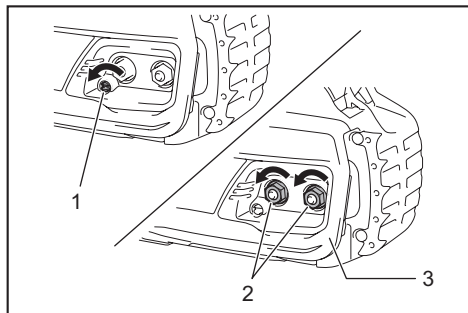
(Consulte el capítulo "Ajuste de la tensión de la cadena de la sierra" para información sobre el procedimiento).



► 1. Tuerca de retención

Para extraer la cadena de la sierra, siga los pasos a continuación:

1. Libere el freno de la cadena jalando el protector de mano delantero.
2. Afloje el tornillo de ajuste de la cadena y luego las tuercas de retención.



► 1. Tornillo de ajuste de la cadena 2. Tuerca de retención 3. Cubierta de la pieza dentada

3. Retire la cubierta de la pieza dentada y luego extraiga la cadena de la sierra y la barra de guía del cuerpo de la sierra eléctrica.

## Ajuste de la tensión de la cadena de la sierra

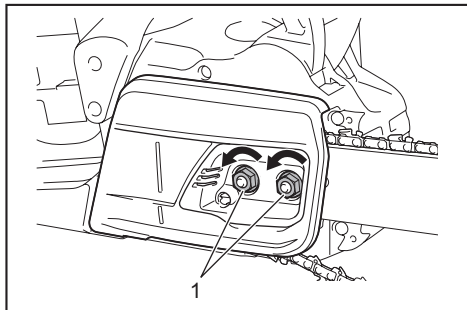
**⚠PRECAUCIÓN:** Realice el procedimiento de instalación o extracción de la cadena de la sierra en un lugar limpio, libre de aserrín y residuos similares.

**⚠PRECAUCIÓN:** No apriete demasiado la cadena de la sierra. Una tensión excesiva de la cadena de la sierra puede causar que ésta se rompa y que la barra de guía se desgaste.

**⚠PRECAUCIÓN:** Una cadena demasiado suelta puede salirse de la barra y ocasionar lesiones por accidentes.

La cadena de la sierra puede aflojarse tras varias horas de uso. De vez en cuando revise la tensión de la cadena de la sierra antes de usarla.

1. Libere el freno de la cadena jalando el protector de mano delantero.
2. Afloje un poco las tuercas de retención para soltar ligeramente la cubierta de la pieza dentada.

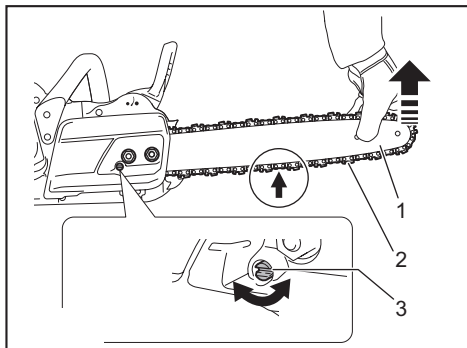


► 1. Tuerca de retención

3. Levante ligeramente la punta de la barra de guía y ajuste la tensión de la cadena. Gire el tornillo de ajuste de la cadena en el sentido de las manecillas del reloj para apretar la cadena, y gírelo en sentido inverso al de las manecillas del reloj para aflojar la cadena.

### Para las cuchillas de la cadena 90PX y 91PX:

Apriete la cadena de la sierra hasta que el lado inferior de la cadena de la sierra embone en el riel de la barra de guía, tal como se muestra en la ilustración.

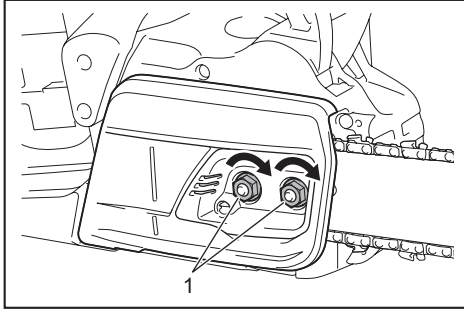


► 1. Barra de guía 2. Cadena de la sierra 3. Tornillo de ajuste de la cadena

### Para la cuchilla de la cadena 25AP:

Apriete la cadena de la sierra de manera que el espacio entre el centro del lado inferior de la barra de guía y la cadena de la sierra sea aproximadamente de 1 mm a 2 mm.

4. Continúe sosteniendo ligeramente la barra de guía y apriete las tuercas de retención para asegurar la cubierta de la pieza dentada.



► 1. Tuerca de retención

### Para las cuchillas de la cadena 90PX y 91PX:

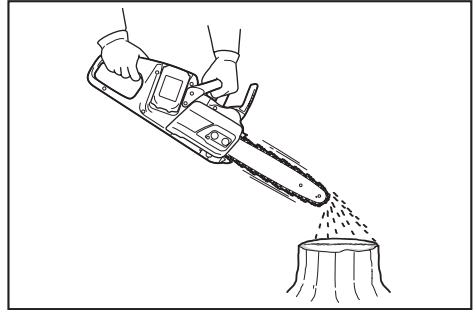
Asegúrese de que la cadena de la sierra no quede floja del lado inferior.

Asegúrese de que la cadena de la sierra quede ajustada contra el lado inferior de la barra.

### Para la cuchilla de la cadena 25AP:

Asegúrese de que el espacio entre el centro del lado inferior de la barra de guía y la cadena de la sierra sea aproximadamente de 1 mm a 2 mm.

Después del reabastecimiento, sostenga la sierra eléctrica lejos del árbol. Póngala en marcha y espere hasta que la lubricación en la cadena de la sierra sea adecuada.



**AVISO:** Cuando llene el aceite para la cadena por primera vez, o al reabastecer el tanque después de haberse vaciado por completo, añada el aceite hasta el borde inferior del cuello de la abertura de suministro. De lo contrario, el suministro de aceite podría ser deficiente.

**AVISO:** Utilice el aceite para la cadena de la sierra exclusivamente para sierras eléctricas Makita o un aceite equivalente disponible en el mercado.

**AVISO:** Nunca use aceite que tenga polvo y partículas, ni aceite volátil.

**AVISO:** Cuando pade árboles, use aceite vegetal. El aceite mineral puede dañar los árboles.

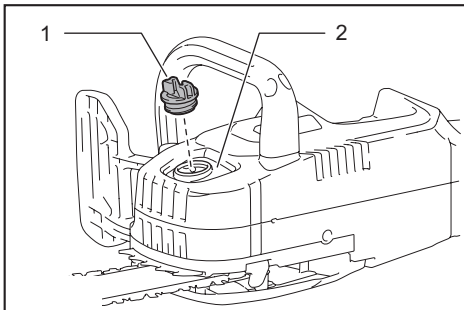
**AVISO:** Antes de la operación de corte, asegúrese de que la tapa del tanque de aceite provista se encuentre atornillada en su lugar.

## OPERACIÓN

### Lubricación

La cadena de la sierra se lubrica automáticamente cuando la herramienta está en funcionamiento. Verifique periódicamente la cantidad de aceite restante en el tanque de aceite.

Para reabastecer el tanque, coloque la sierra eléctrica sobre su costado y retire la tapa del tanque de aceite. La cantidad correcta de aceite son 200 ml. Después de reabastecer el tanque, asegúrese de que la tapa del tanque de aceite sea apretada firmemente.



► 1. Tapa del tanque de aceite 2. Tanque de aceite (translúcido)

## OPERACIÓN DE LA SIERRA ELÉCTRICA

**PRECAUCIÓN:** El usuario sin experiencia deberá, como práctica mínima, cortar leña sobre un caballete o base.

**PRECAUCIÓN:** Al aserrar madera precortada, utilice un apoyo seguro (como un caballete o base). No utilice su pie para mantener la pieza de trabajo fija, ni permita que alguien más la sostenga o mantenga firme.

**PRECAUCIÓN:** Fije las piezas redondas para que no giren.

**PRECAUCIÓN:** Mantenga todas las partes del cuerpo alejadas de la cadena de la sierra cuando el motor esté funcionando.

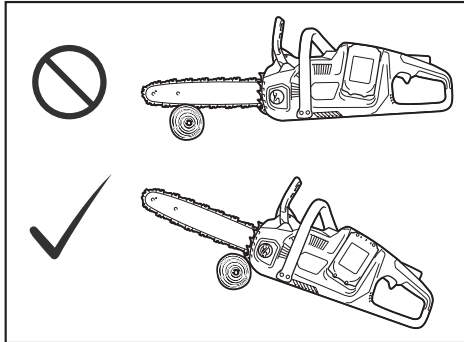
**PRECAUCIÓN:** Sostenga la sierra eléctrica firmemente con ambas manos cuando el motor esté en marcha.

**PRECAUCIÓN:** No utilice la herramienta donde no alcance. Pise firmemente y mantenga el equilibrio en todo momento.

**AVISO:** Nunca tire ni deje caer la herramienta.

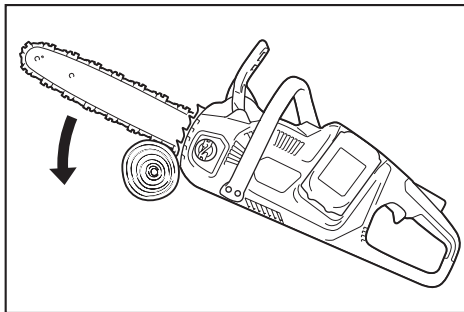
**AVISO:** No cubra las rejillas de ventilación de la herramienta.

Acerque el borde inferior del cuerpo de la sierra eléctrica hasta hacer contacto con la rama que va a cortar antes de encenderla. El no hacerlo podría causar que la barra de guía se tambalee provocando una lesión al operador. Corte la madera en la que va a trabajar simplemente moviendo la sierra eléctrica hacia abajo usando su propio peso.



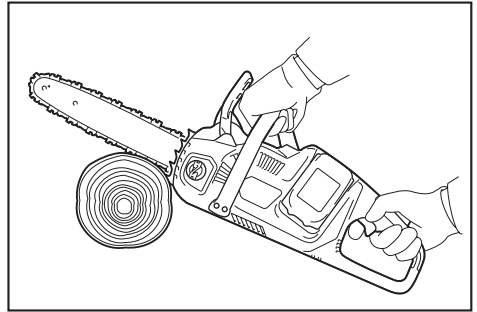
Si no es posible cortar la madera completamente con una sola pasada:

Presione levemente sobre el mango y continúe cortando haciendo retroceder la sierra eléctrica un poco; luego coloque el tope de picos un poco más abajo y termine el corte levantando el mango.



## Aserrado

1. Apoye el borde inferior del cuerpo de la sierra eléctrica sobre la madera que va a cortar.

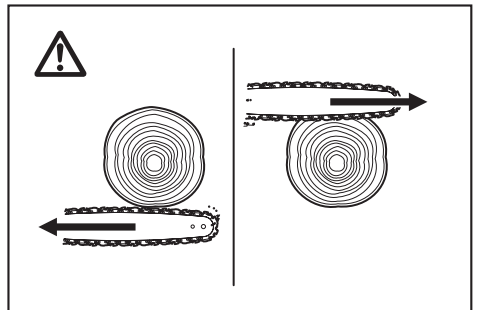


2. Con la cadena de la sierra en marcha, corte la madera usando el mango trasero para levantar la sierra y el mango delantero para guiarla. Use el tope de picos como pivote.

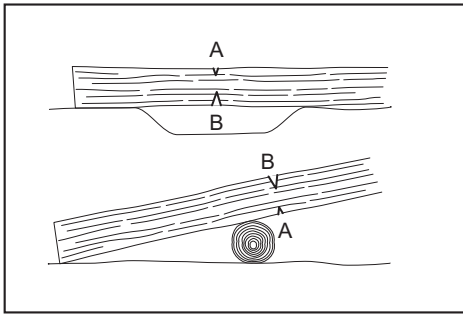
3. Continúe el corte aplicando una leve presión sobre el mango delantero, aliviando ligeramente la parte trasera de la sierra. Mueva el tope de picos todavía más abajo en la madera y vuelva a levantar el mango delantero.

**AVISO:** Cuando realice varios cortes, apague la sierra eléctrica entre corte y corte.

**PRECAUCIÓN:** Si el borde superior de la barra se usa para el corte, la sierra eléctrica puede desviarse hacia usted si la cadena llega a atascarse. Por esta razón, realice los cortes con el borde inferior de manera que la sierra se desvíe en dirección opuesta a su cuerpo.



Cuando corte madera que esté bajo tensión, corte primero el lado presionado (A). Luego realice el corte final desde el lado tensionado (B). Esto evitará que la barra quede atascada.



## Desmembrado

**⚠PRECAUCIÓN:** El desmembrado solo deberá ser realizado por personas capacitadas. Puede presentarse algún peligro debido al riesgo de un retroceso brusco.

Al desmembrar, apoye la sierra eléctrica sobre el tronco de ser posible. No realice cortes con la punta de la barra, ya que esto representa riesgo de un retroceso brusco.

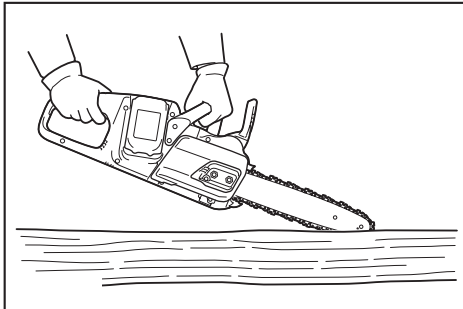
Ponga especial atención a las ramas que estén tensionadas. No corte ramas que no estén apoyadas por debajo.

No se pare sobre el tronco talado al estar desmembrando.

## Excavación y cortes en paralelo al grano

**⚠PRECAUCIÓN:** La excavación y los cortes en paralelo al grano solo podrán ser efectuados por personas especialmente capacitadas. La posibilidad de un retroceso brusco representa un riesgo de lesión.

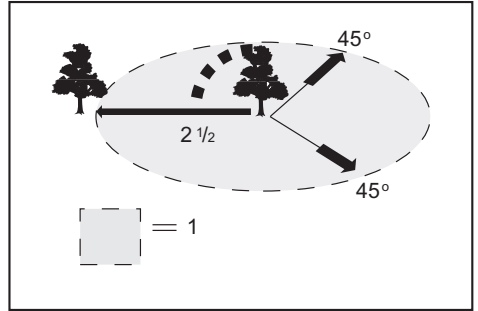
Realice los cortes en paralelo al grano a un ángulo tan superficial como sea posible. Tenga extrema precaución al realizar el corte, ya que no se puede utilizar el tope de picos.



## Talado

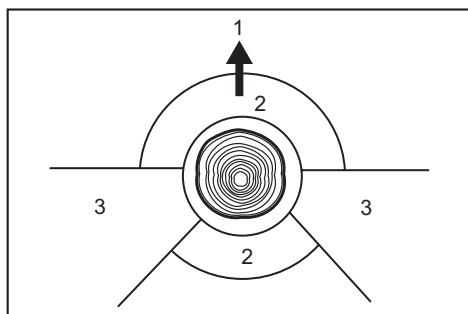
**⚠PRECAUCIÓN:** El talado solo deberá ser realizado por personas capacitadas. Este trabajo es peligroso.

Cumpla con los reglamentos locales si desea talar un árbol.



### ► 1. Área de talado

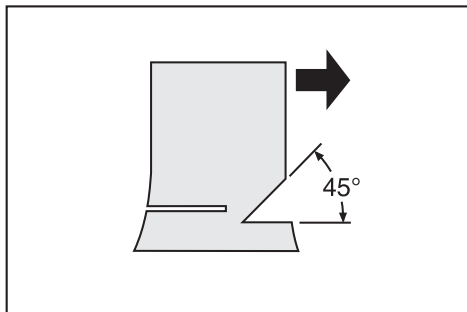
- Antes de comenzar un trabajo de talado, asegúrese de que:
  - Sólo las personas involucradas en la operación de talado se encuentren en la proximidad;
  - Cualquier persona involucrada cuente con una ruta despejada de retirada dentro de un rango de aproximadamente 45° en cada lado del eje de talado. Considere el riesgo adicional de tropezar con cables eléctricos;
  - La base del tronco esté libre de objetos extraños, raíces y ramas;
  - No haya personas ni objetos en una distancia equivalente a 2 1/2 la longitud del árbol en la dirección en la cual será derribado el árbol.
- Considere lo siguiente en lo que respecta a cada árbol:
  - Dirección de inclinación;
  - Ramas sueltas o secas;
  - Altura del árbol;
  - Proyección natural;
  - Si el árbol está o no podrido.
- Considere la velocidad y dirección del viento. No realice operaciones de talado si el viento sopla fuertemente.
- Podado de raíces protuberantes: Comience con las protuberancias más grandes. Realice el corte vertical primero y luego el corte horizontal.
- Ubíquese a un costado del árbol que está por caer. Mantenga el área despejada por detrás del árbol que está por caer hasta un ángulo de 45° en cada lado del eje del árbol (consulte la ilustración de "Área de talado"). Ponga atención a las ramas que estén cayendo.
- Se debe planificar una ruta de escape que esté despejada según se requiera antes de iniciar los cortes. La ruta de escape deberá extenderse hacia atrás y en forma diagonal a la parte trasera de la línea de caída esperada, tal como se muestra en la ilustración.



- 1. Dirección de talado 2. Zona de peligro 3. Ruta de escape

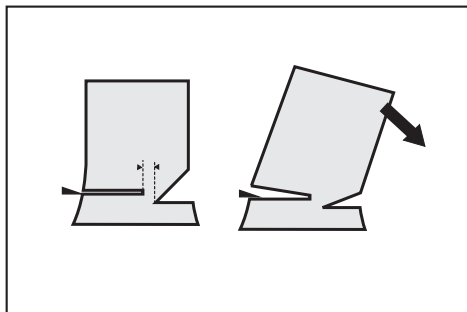
Cuando realice el talado de árboles, siga los procedimientos a continuación:

1. Corte la hendidura tan cerca del suelo como sea posible. Primero realice el corte horizontal con una profundidad de 1/5-1/3 del diámetro del tronco. Evite hacer la hendidura demasiado grande. Luego realice el corte diagonal.



**NOTA:** La hendidura determina la dirección en la cual el árbol caerá, sirviendo de guía. Se realiza sobre el lado hacia el cual el árbol caerá.

2. Haga el corte trasero un poco más arriba de la base del corte de la hendidura. El corte trasero deberá ser exactamente horizontal. Deje aproximadamente 1/10 de diámetro del tronco entre el corte trasero y la hendidura. Las fibras de la madera en el tronco aún si cortar actuarán como una bisagra. Inserte cuñas en el corte trasero en el momento oportuno.

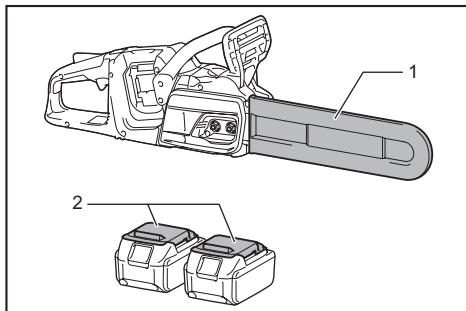


**⚠ADVERTENCIA:** No corte directamente a través de las fibras bajo ninguna circunstancia. De lo contrario, el árbol caerá desenfrenadamente.

**AVISO:** Sólo se deben usar cuñas de plástico o aluminio para mantener el corte trasero abierto. El uso de cuñas de hierro está prohibido.

## Transporte de la herramienta

Antes de transportar la herramienta, accione siempre el freno de la cadena y retire los cartuchos de batería de la herramienta. Luego instale la cubierta de la barra de guía. Asimismo, cubra el cartucho de batería con la cubierta de la batería.



- 1. Cubierta de la barra de guía 2. Cubierta de la batería

## MANTENIMIENTO

**⚠PRECAUCIÓN:** Asegúrese siempre de que la herramienta esté apagada y el cartucho de batería extraído antes de intentar realizar una inspección o mantenimiento.

**⚠PRECAUCIÓN:** Siempre use guantes cuando realice cualquier trabajo de inspección o mantenimiento.

**AVISO:** Nunca use gasolina, bencina, diluyente (tiner), alcohol o sustancias similares. Puede que esto ocasione grietas o descoloramiento.

Para mantener la SEGURIDAD y FIABILIDAD del producto, las reparaciones, y cualquier otra tarea de mantenimiento o ajuste deberán ser realizadas en centros de servicio autorizados o de fábrica Makita, empleando siempre repuestos Makita.

## Afilado de la cadena de la sierra

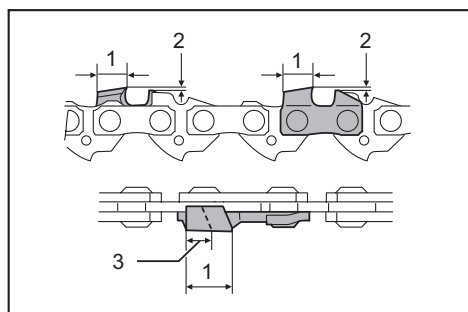
### Afile la cadena de la sierra cuando:

- Se produzca aserrín con consistencia harinosa al cortar madera húmeda;
- La sierra penetre la madera con dificultad, incluso al aplicar una gran presión;
- El borde de corte esté evidentemente dañado;
- La sierra se desvíe hacia la izquierda o la derecha en la madera. (a causa de un afilado no uniforme de la cadena de la sierra o daño en sólo uno de los lados)

Afile la cadena de la sierra con frecuencia pero sólo un poco cada vez. Por lo general sólo dos o tres pasadas con una lima son suficientes para un reafileado de rutina. Cuando la cadena de la sierra haya sido reafileada varias veces, lívela a afilar a nuestro centro de servicio autorizado.

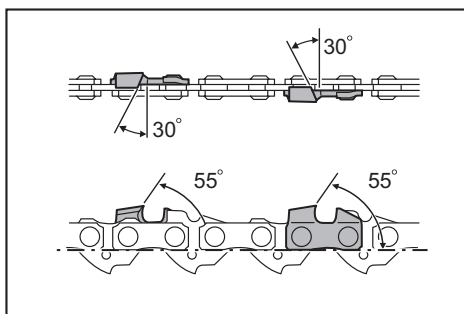
### Criterios de afilado:

**⚠ ADVERTENCIA:** Una distancia excesiva entre el borde de corte y el calibrador de profundidad aumenta el riesgo de un retroceso brusco.



- **1.** Longitud de la parte cortadora **2.** Distancia entre el borde de corte y el calibrador de profundidad **3.** Longitud mínima de la parte cortadora (3 mm (1/8"))

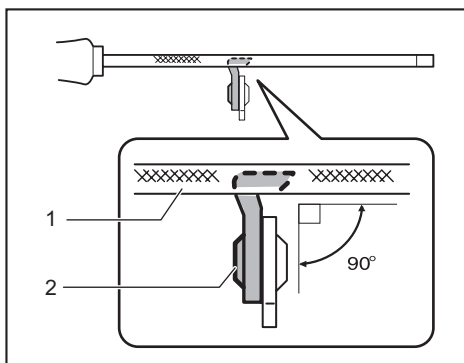
- Todas las partes cortadoras deberán tener la misma longitud. El que las partes cortadoras tengan diferentes longitudes impide que la cadena de la sierra se accione fácilmente y puede ocasionar que ésta se rompa.
- No afile la cadena cuando la longitud de la parte cortadora haya alcanzado 3 mm (1/8") o menos. La cadena deberá ser reemplazada con una nueva.
- El grosor de las virutas es determinado por la distancia entre el calibrador de profundidad (nariz redonda) y el borde de corte.
- Los mejores resultados de corte se obtienen con la distancia siguiente entre el borde de corte y el calibrador de profundidad.
  - Cuchilla de la cadena 90PX: 0,65 mm (0,025")
  - Cuchilla de la cadena 91PX: 0,65 mm (0,025")
  - Cuchilla de la cadena 25AP: 0,65 mm (0,025")



- El ángulo de afilado de 30° deberá ser el mismo en todas las partes cortadoras. Las diferencias de ángulos en las partes cortadoras causan que la cadena corra de forma brusca e irregular, acelera el desgaste y provocan la rotura de la cadena.
- Utilice una lima redonda adecuada de manera que el ángulo de afilado correcto se mantenga contra el diente.
  - Cuchilla de la cadena 90PX: 55°
  - Cuchilla de la cadena 91PX: 55°
  - Cuchilla de la cadena 25AP: 55°

### Lima y guiado del limado

- Use una lima redonda especial (accesorio opcional) para cadenas de la sierra para afilar la cadena. Las limas redondas comunes no son apropiadas.
- El diámetro de la lima redonda para cada cadena de la sierra es:
  - Cuchilla de la cadena 90PX: 4,5 mm (3/16")
  - Cuchilla de la cadena 91PX: 4,0 mm (5/32")
  - Cuchilla de la cadena 25AP: 4,0 mm (5/32")
- La lima sólo deberá embonar en la parte cortadora en la pasada hacia adelante. Levante la lima para alejarla de la parte cortadora en la pasada de regreso.
- Afile la parte cortadora más pequeña primero. Después la longitud de esta parte más pequeña se volverá el estándar para todas las demás partes cortadoras en la cadena de la sierra.
- Guíe la lima tal como se muestra en la ilustración.

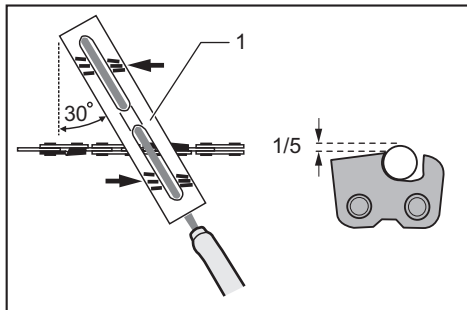


- **1.** Lima **2.** Cadena de la sierra

- La lima puede guiarse más fácilmente si se emplea un sujetador de limas (accesorio opcional). El sujetador de limas cuenta con marcas para el ángulo de afilado correcto de 30° (alinee las marcas paralelas a la

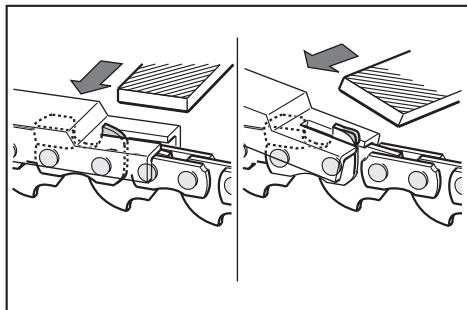


cadena de la sierra) y limita la profundidad de penetración (a 4/5 del diámetro de la lima).



► 1. Sujetador de limas

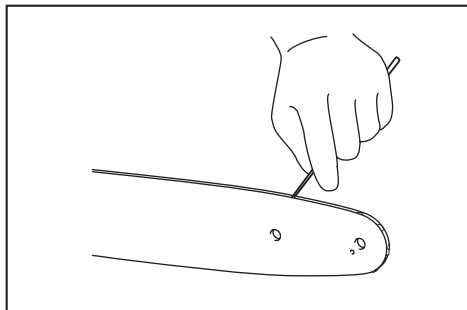
- Tras el afilado de la cadena, verifique la altura del calibrador de profundidad usando la herramienta de calibración de la cadena (accesorio opcional).



- Elimine cualquier material protuberante, independiente de cuán pequeño sea, con una lima plana especial (accesorio opcional).
- Redondee la parte delantera del calibrador de profundidad de nuevo.

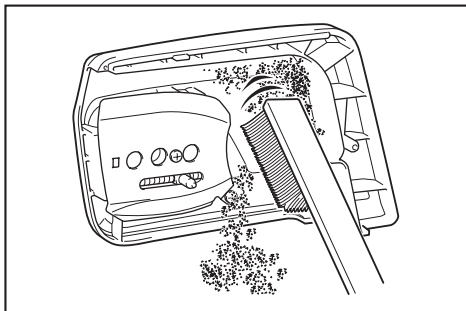
## Limpeza de la barra de guía

En la ranura de la barra de guía se acumularán astillas y aserrín. Éstas pueden obstruir la ranura de la barra y afectar el flujo de aceite. Limpie las astillas y el aserrín cada vez que afile o reemplace la cadena de la sierra.



## Limpeza de la cubierta de la pieza dentada

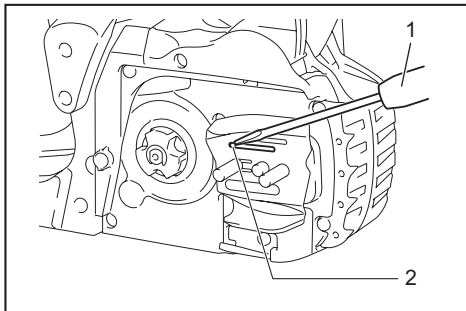
En el interior de la cubierta de la pieza dentada se acumularán astillas y aserrín. Retire la cubierta de la pieza dentada y la cadena de la sierra de la herramienta y luego limpie las astillas y el aserrín.



## Limpeza del orificio de descarga de aceite

En el orificio de descarga de aceite se pueden acumular polvo y pequeñas partículas durante la operación. Este polvo o partículas pueden afectar el flujo de aceite y causar una lubricación insuficiente en toda la cadena de la sierra. Cuando haya un suministro deficiente de aceite en la parte superior de la barra de guía, limpie el orificio de descarga de aceite como se indica a continuación.

1. Retire la cubierta de la pieza dentada y la cadena de la sierra de la herramienta.
2. Elimine polvo y partículas de tamaño pequeño usando un destornillador plano o similar.



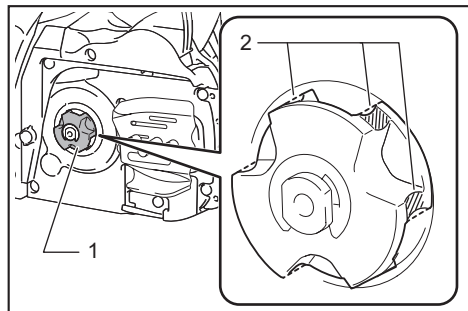
► 1. Destornillador plano 2. Orificio de descarga de aceite

3. Inserte el cartucho de batería en la herramienta. Jale el gatillo interruptor para eliminar la acumulación de polvo o partículas del orificio de descarga de aceite descargando el aceite de la cadena.
4. Retire el cartucho de batería de la herramienta. Reinstale la cubierta de la pieza dentada y la cadena de la sierra en la herramienta.

## Reemplazo de la pieza dentada

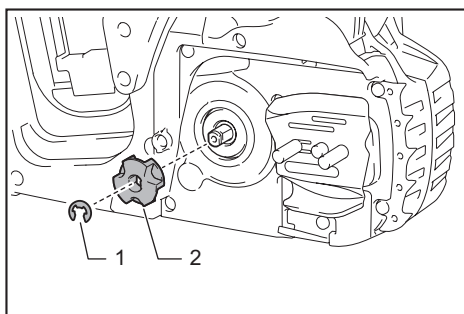
**⚠ PRECAUCIÓN:** Una pieza dentada desgastada dañará una cadena nueva de la sierra. En este caso, reemplace la pieza dentada.

Antes de instalar una nueva cadena de la sierra, verifique la condición de la pieza dentada.



► 1. Pieza dentada 2. Áreas a desgastarse

Instale siempre un anillo de bloqueo nuevo cuando reemplace la pieza dentada.



► 1. Anillo de bloqueo 2. Pieza dentada

**AVISO:** Asegúrese de que la pieza dentada sea instalada tal como se muestra en la ilustración.

## Almacenamiento de la herramienta

1. Limpie la herramienta antes de almacenarla. Retire cualquier astilla y aserrín de la herramienta después de quitar la cubierta de la pieza dentada.
2. Después de limpiar la herramienta, hágala funcionar sin carga para lubricar la cadena de la sierra y la barra de guía.
3. Cubra la barra de guía con la cubierta de la barra de guía.
4. Vacíe el tanque de aceite.

## Instrucciones para el mantenimiento periódico

Para asegurar una vida útil prolongada, prevenga el daño y asegure un funcionamiento total de las funciones de seguridad, efectuando el siguiente programa de mantenimiento de forma periódica. Las reclamaciones de garantía podrán ser reconocidas solamente si este programa de mantenimiento es realizado periódicamente y como corresponde. ¡El no seguir el programa de mantenimiento indicado puede provocar accidentes! El usuario de la sierra eléctrica no deberá realizar ningún trabajo de mantenimiento que no esté descrito en el manual de instrucciones. Todo este tipo de trabajo deberá ser realizado por nuestro centro de servicio autorizado.

Elemento a revisar / Tiempo de operación		Antes de la operación	Diariamente	Semanalmente	Cada 3 meses	Anualmente	Antes del almacenamiento
Sierra eléctrica	Inspección.	✓	-	-	-	-	-
	Limpieza.	-	✓	-	-	-	-
	Inspección en el centro de servicio autorizado.	-	-	-	-	✓	✓
Cadena de la sierra	Inspección.	✓	-	-	-	-	-
	Afilamiento en caso necesario.	-	-	-	-	-	✓
Barra de guía	Inspección.	✓	✓	-	-	-	-
	Retirar de la sierra eléctrica.	-	-	-	-	-	✓
Freno de la cadena	Revisar el funcionamiento.	✓	-	-	-	-	-
	Hacer que lo inspeccionen regularmente en el centro de servicio autorizado.	-	-	-	✓	-	-

Elemento a revisar / Tiempo de operación		Antes de la operación	Diariamente	Semanalmente	Cada 3 meses	Anualmente	Antes del almacenamiento
Lubricación de la cadena	Revisar el caudal de alimentación de aceite.	✓	-	-	-	-	-
Gatillo interruptor	Inspección.	✓	-	-	-	-	-
Palanca de desbloqueo	Inspección.	✓	-	-	-	-	-
Tapa del tanque de aceite	Revisar que esté bien apretado.	✓	-	-	-	-	-
Receptor de la cadena	Inspección.	-	-	✓	-	-	-
Tornillos y tuercas	Inspección.	-	-	✓	-	-	-

## RESOLUCIÓN DE PROBLEMAS

Antes de solicitar alguna reparación, primero realice una inspección por su cuenta. Si detecta algún problema que no esté explicado en el manual, no intente desensamblar la herramienta. En vez de esto, solicite la reparación a un centro de servicio autorizado de Makita, usando siempre piezas de repuesto Makita.

Estado de la avería	Causa	Solución
La sierra eléctrica no arranca.	Dos cartuchos de batería no han sido instalados.	Instale dos cartuchos de batería cargados.
	Problema con la batería (bajo voltaje).	Recargue los cartuchos de batería. Si la recarga no resulta eficaz, reemplace el cartucho de batería.
	El interruptor de alimentación principal está apagado.	La sierra eléctrica se apagará automáticamente si ésta no es operada durante un período determinado. Encienda el interruptor de alimentación principal nuevamente.
La cadena de la sierra no funciona.	El freno de la cadena está activado.	Libere el freno de la cadena.
El motor deja de funcionar al poco tiempo de uso.	El nivel de carga de la batería es bajo.	Recargue los cartuchos de batería. Si la recarga no resulta eficaz, reemplace el cartucho de batería.
La cadena no tiene aceite.	El tanque de aceite está vacío.	Llene el tanque de aceite.
	La ranura de la guía de aceite está sucia.	Limpie la ranura.
	Suministro de aceite deficiente.	Ajuste la cantidad de suministro de aceite con el tornillo de ajuste.
La sierra eléctrica no alcanza el nivel máximo de RPM.	El cartucho de batería está instalado incorrectamente.	Instale los cartuchos de batería tal como se describe en este manual.
	La potencia de la batería está disminuyendo.	Recargue los cartuchos de batería. Si la recarga no resulta eficaz, reemplace el cartucho de batería.
	El sistema de accionamiento no funciona correctamente.	Solicite la reparación en el centro de servicio autorizado de su región.
La lámpara de alimentación principal está parpadeando.	El gatillo interruptor es jalado bajo una condición inoperable.	Jale el gatillo interruptor una vez que el interruptor de alimentación principal se haya encendido y el freno de la cadena se haya liberado.
La cadena no se detiene aun cuando el freno de la cadena ha sido activado: <b>¡Detenga la máquina de inmediato!</b>	La banda del freno está desgastada.	Solicite la reparación en el centro de servicio autorizado de su región.
Vibración anormal: <b>¡Detenga la máquina de inmediato!</b>	La barra de guía o la cadena de la sierra están sueltas.	Ajuste la barra de guía o la tensión de la cadena de la sierra.
	Avería de la herramienta.	Solicite la reparación en el centro de servicio autorizado de su región.

# ACCESORIOS OPCIONALES

**⚠PRECAUCIÓN:** Estos accesorios o aditamentos están recomendados para utilizarse con su herramienta Makita especificada en este manual.

El empleo de cualquier otro accesorio o aditamento puede conllevar el riesgo de lesiones personales.

Utilice los accesorios o aditamentos solamente para su fin establecido.

Si necesita cualquier ayuda para más detalles en relación con estos accesorios, pregunte a su centro de servicio local Makita.

- Cadena de la sierra
- Barra de guía
- Cubierta de la barra de guía
- Pieza dentada
- Lima
- Bolsa de herramientas
- Batería y cargador originales de Makita

**⚠ADVERTENCIA:** Si usted adquiere una barra de guía de una longitud distinta a la de la barra de guía estándar, también adquiera junto con ésta una cubierta de la barra de guía adecuada. Ésta debe quedarle y cubrir completamente a la barra de guía en la sierra eléctrica.

**NOTA:** Algunos de los artículos en la lista pueden incluirse en el paquete de la herramienta como accesorios estándar. Éstos pueden variar de país a país.

## GARANTÍA LIMITADA DE MAKITA

### Ésta Garantía no aplica para México

Consulte la hoja de la garantía anexa para ver los términos más vigentes de la garantía aplicable a este producto. En caso de no disponer de esta hoja de garantía anexa, consulte los detalles sobre la garantía descritos en el sitio web de su país respectivo indicado a continuación.

Estados Unidos de América: [www.makitatools.com](http://www.makitatools.com)

Canadá: [www.makita.ca](http://www.makita.ca)

Otros países: [www.makita.com](http://www.makita.com)







< USA only >

# WARNING

Some dust created by power sanding, sawing, grinding, drilling, and other construction activities contains chemicals known to the State of California to cause cancer, birth defects or other reproductive harm. Some examples of these chemicals are:

- lead from lead-based paints,
- crystalline silica from bricks and cement and other masonry products, and
- arsenic and chromium from chemically-treated lumber.

Your risk from these exposures varies, depending on how often you do this type of work. To reduce your exposure to these chemicals: work in a well ventilated area, and work with approved safety equipment, such as those dust masks that are specially designed to filter out microscopic particles.

< Sólo en los Estados Unidos >

# ADVERTENCIA

Algunos polvos creados por el lijado, aserrado, esmerilado, taladrado y otras actividades de la construcción contienen sustancias químicas reconocidas por el Estado de California como causantes de cáncer, defectos de nacimiento y otros peligros de reproducción. Algunos ejemplos de estos productos químicos son:

- plomo de pinturas a base de plomo,
- sílice cristalino de ladrillos y cemento y otros productos de albañilería, y
- arsénico y cromo de maderas tratadas químicamente.

El riesgo al que se expone varía, dependiendo de la frecuencia con la que realice este tipo de trabajo. Para reducir la exposición a estos productos químicos: trabaje en un área bien ventilada y póngase el equipo de seguridad indicado, tal como las máscaras contra polvo que están especialmente diseñadas para filtrar partículas microscópicas.

**Makita Corporation**

3-11-8, Sumiyoshi-cho,  
Anjo, Aichi 446-8502 Japan

[www.makita.com](http://www.makita.com)

885663C936  
DUC355-2  
EN, FRCA, ESMX  
20190703